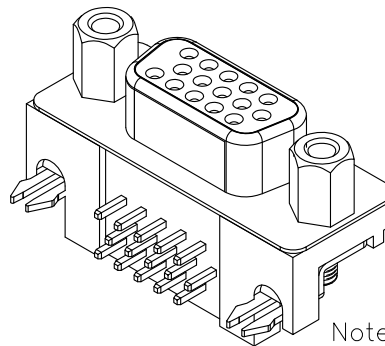
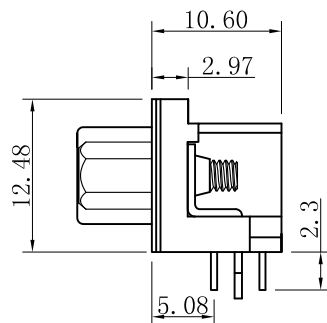
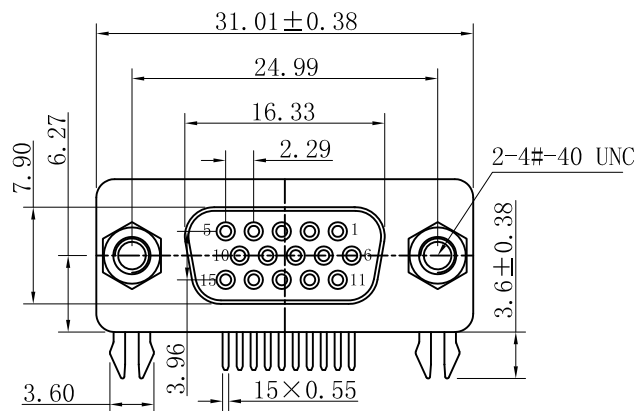


The product using material and processing must conform to the "WI-PZ-142" HSF technical standard control requirements



Note:

1. Specification:

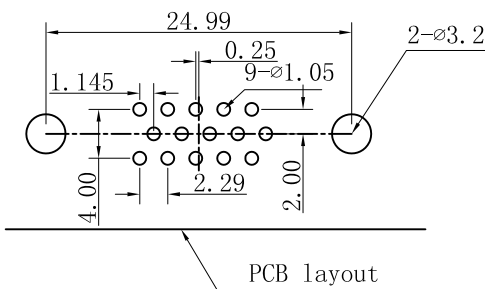
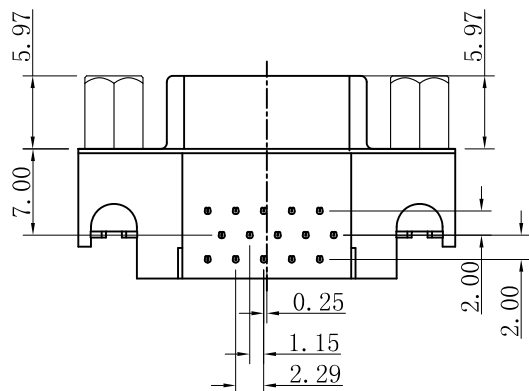
- 1.1 Rated voltage: 125V
- 1.2 Rated current: 3A
- 1.3 Contact Resistance: 30m ohms Max.
- 1.4 Insulation Resistance: 1000M ohms Min. at 500V/DC for 1Minute.
- 1.5 Withstanding voltage: 500VAC/minute
- 1.6 operation temperature: -55° C ~ 105° C

2. Material:

- 2.1 housing: PBT+30% Black/Blue; UL94V-0
- 2.4 Contact: C2680, Plating 0.6u" Plated on Contact Area, 80u" Min. Tin Plated on Solder Tails Area, 30u" Min. Nickel Underplating Over All.
- 2.5 Shell: SPCC, Plating 80u" Min. Nickel Underplating Over All.

WLDBF9-15 1 X X 02-024

PLATING:  Colour:   
 1—G/F                      A: Black  
 2—AU 3U"                 G: Blue  
 5—AU 15U"  
 6—AU 30U"



REV.	REVISION RECORD	DATE	GENERAL TOLERANCES		SCALE:	NAME	DATE	PART.NO:	DWG.NO:	 WanLian Teconology Co., Ltd
AO	NEW RELEASE	21.01.13	LINEAR	ANGLES	1:1	Wang_jr	21.01.13	WLDBF9-151XX02-024	ENDE05	
			0.0±0.35	X'REF±6°	APPROVED	Ding_bo	21.01.13	TITLE:		
			UNIT: mm	X'±3'	DESIGNER	Ou_jian	21.01.13	HDR 15P/F 5.08MM 鲫鱼叉锁		REV: AO
			SIZE: A4	X'X' ±2'	DRAWN					SHEET: 1/1