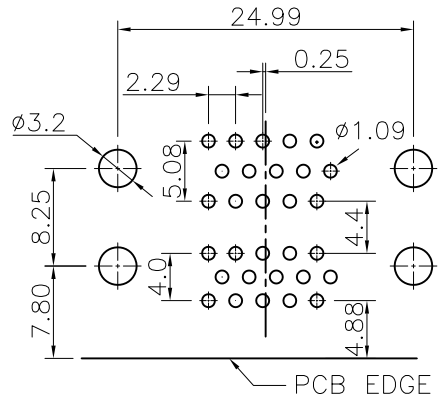
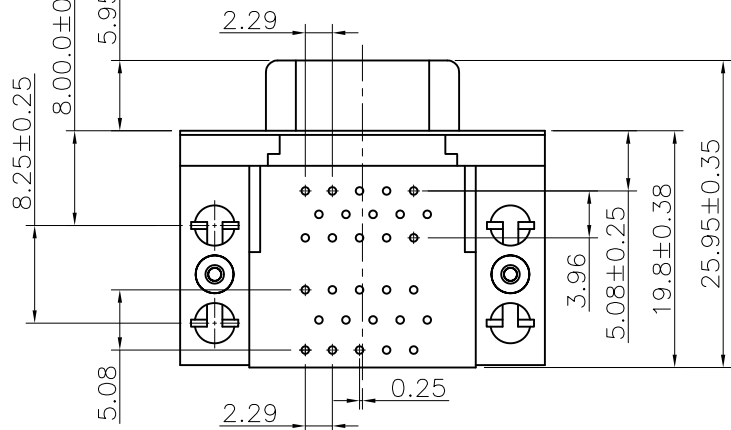
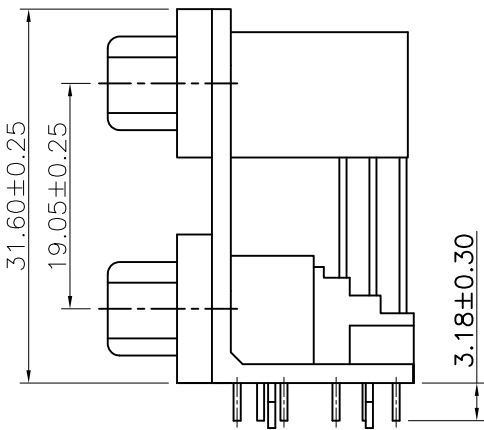
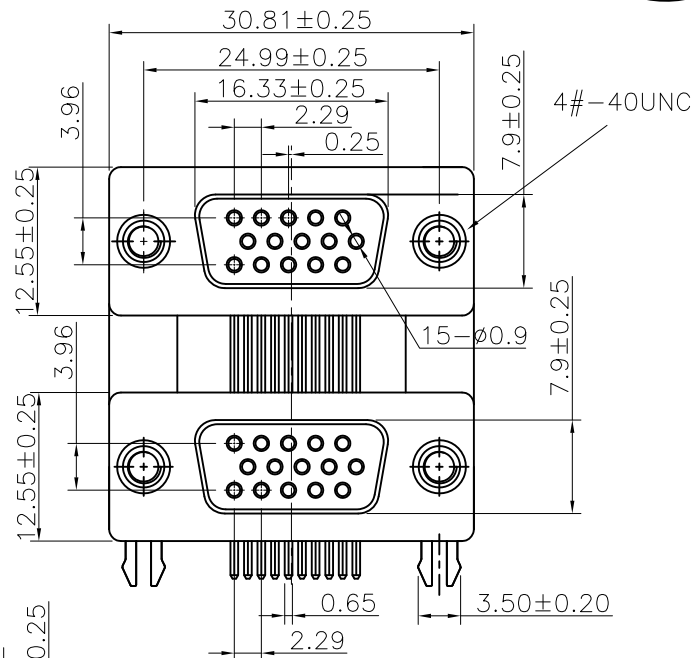


The product using material and processing must conform to the "WI-PZ-001" HSF technical standard control requirements

RoHS



Note:

1. Specification:

- 1.1 Rated voltage: 125V
- 1.2 Rated current: 3A
- 1.3 Contact Resistance: 30m ohms Max.
- 1.4 Insulation Resistance: 1000M ohms Min. at 500V/DC for 1Minute.
- 1.5 Withstanding voltage: 500VAC/minute
- 1.6 operation temperature: -55° C~105° C

2. Material:

- 2.1 Height housing: PBT+30% Black; UL94V-0
- 2.2 Connect housing: PBT+30% Black; UL94V-0
- 2.3 Low housing: PBT+30% Blue; UL94V-0
- 2.4 Contact: C2680, Plating 0.6u" Plated on Contact Area, 80u" Min. Tin Plated on Solder Tails Area, 30u" Min. Nickel Underplating Over All.
- 2.5 Shell: SPCC, Plating 80u" Min. Nickel Underplating Over All.
- 2.6 Hook: Copper Alloy, Plating 80u" Min. Tin Underplating Over All.
- 2.7 Support: 80u" Min. Nickel Underplating Over All.

3. PACKAGE SPEC: TRAY

WLDBF9-30 1 X X 0006

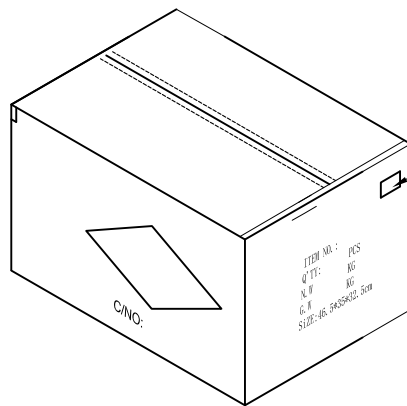
PLATING: Colour:
 1—G/F A:Black
 2—AU 3U" K:White
 5—AU 15U" G:Blue
 6—AU 30U"

REV.	REVISION RECORD	DATE		GENERAL TOLERANCES		SCALE: 1:1	NAME	DATE	PART.NO:	DWG.NO:	
A0	NEW RELEASE	21.01.13		LINEAR	ANGLES	APPROVED	Wang_jr	21.01.13	WLDBF9-301XX0006	ENDE05	
			UNIT: mm	0.00±0.25	X'±3'	DESIGNER	Ding_bo	21.01.13	TITLE:		REV: A0 SHEET: 1/2
			SIZE: A4	0.000±0.10	X'X' ±2'	DRAWN	Ou_jian	21.01.13	HDR DOUBLE 15P/F 5.08MM 铆合		

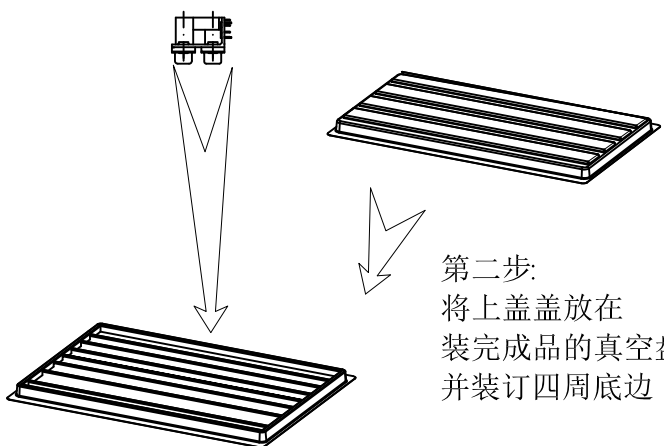
The product using material and processing must conform to the "WI-PZ-001" HSF technical standard control requirements



第一步:
真空盘:每排9PCS成品 每盘45PCS成品

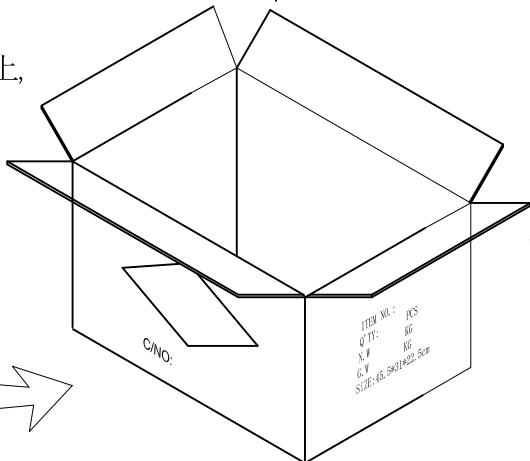


外箱标签



第二步:
将上盖盖放在
装完成品的真空盘上,
并装订四周底边

第三步:
将封好上盖的真空盘放入纸箱中
每箱720PCS



纸箱:
规格: 45.5*31*22.5 CM
材质: A=A

REV.	REVISION RECORD	DATE		GENERAL TOLERANCES		SCALE: 1:1	NAME	DATE	PART.NO:	DWG.NO:	
AO	NEW RELEASE	21.01.13		LINEAR	ANGLES	APPROVED	Wang_jr	21.01.13	WLDBF9-301XX0006	ENDE05	
			UNIT: mm	0.0±0.35	X'REF±6°	DESIGNER	Ding_bo	21.01.13	TITLE:		REV: A0 SHEET: 2/2
			SIZE: A4	0.00±0.25	X'±3'	DRAWN	Ou_jian	21.01.13	HDR DOUBLE 15P/F 5.08MM 铆合		
				0.00±0.10	X'X' ±2'						

WanLian Teconology Co., Ltd