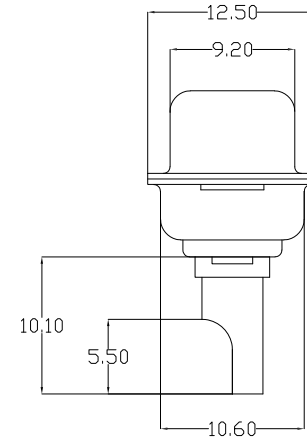
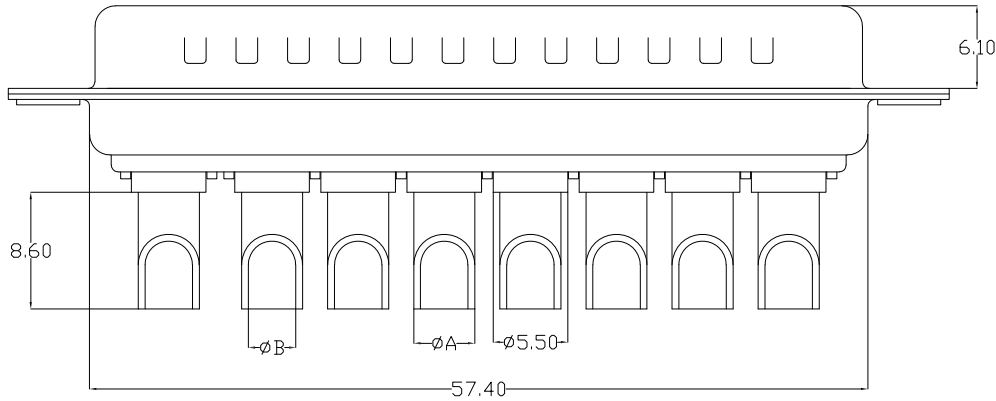
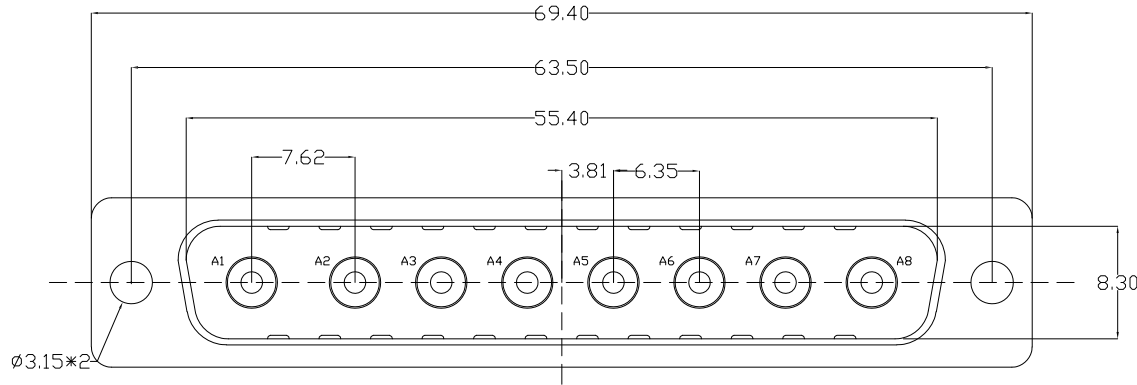


The product using material and processing must conform to the "WI-PZ-001"HSF technical standard control requirements


RoHS

额定电流	øA	øB	øC	适用途径
10A	ø2.60	ø1.80	ø5.00	15~16AWG
20A	ø3.60	ø2.80	ø5.00	10~12AWG
30A	ø4.50	ø3.50	ø5.00	8~10AWG
40A	ø5.40	ø4.60	ø5.50	6~8AWG



NOTE:  
 1.MATERIAL SPECIFICATION:  
 1-1.HOUSING:PBT FIBER 30% (UL94V-0)  
 1-2.CONTACTS:BRASS  
 1-3.SHELL: STAINLESS STEEL  
 2.PLATING SPECIFICATION:  
 2-1.CONTACTS:  
 NI 40U" MIN. UNDER PLATED OVER ALL.  
 AU PLATED ON THE FUNCTIONAL AREA OF CONTACT.  
 2-2. SHELL:  
 NI 30U" MIN. UNDER PLATED OVER ALL.  
 3.ELECTRICAL PERFORMANCE:  
 4-1.CURRENT RATING:10A-40A  
 4-2.VOLTAGE RATING:300V AC MAX  
 4-3.CONTACT RESISTANCE: 30mΩ MAX.  
 4-4.INSULATION RESISTANCE: 5000MΩ MIN  
 4-5.DIELECTRIC WITHSTANDING VOLTAGE: 1000V AC MIN.  
 4.ENVIRONMENTAL PERFORMANCE:  
 OPERATING TEMPERATURE: -55°C~+105°C.

WLDBM0-08 4 X X X 077  
 PLATING:  
 1-G/F  
 2-AU 3U"  
 5-AU 15U"  
 6-AU 30U"  
 RATED CURRENT:  
 1-10A  
 2-20A  
 3-30A  
 4-40A  
 COLOUR:  
 A:Black  
 K:White

REV.	REVISION RECORD	DATE	UNIT:mm	GENERAL TOLERANCES		SCALE: 1:1	NAME	DATE	PART.NO:	DWG.NO:	 WanLian Teconology Co., Ltd
A0	NEW RELEASE	21.01.13		SIZE: A4	LINEAR 0.00±0.25	ANGLES X°REF±6°	APPROVED	Wang_jr	21.01.13	WLDBM0-084XXX077	
				0.00±0.25	X°±3°	DESIGNER	Ding_bo	21.01.13	TITLE: D-Sub 8W8 male		REV: A0
				0.000±0.10	X°X' ±2°	DRAWN	Ou_jian	21.01.13			SHEET: 1/1