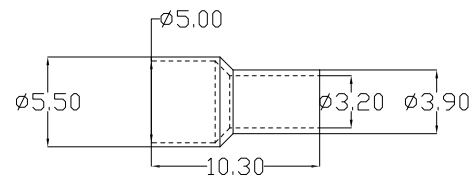
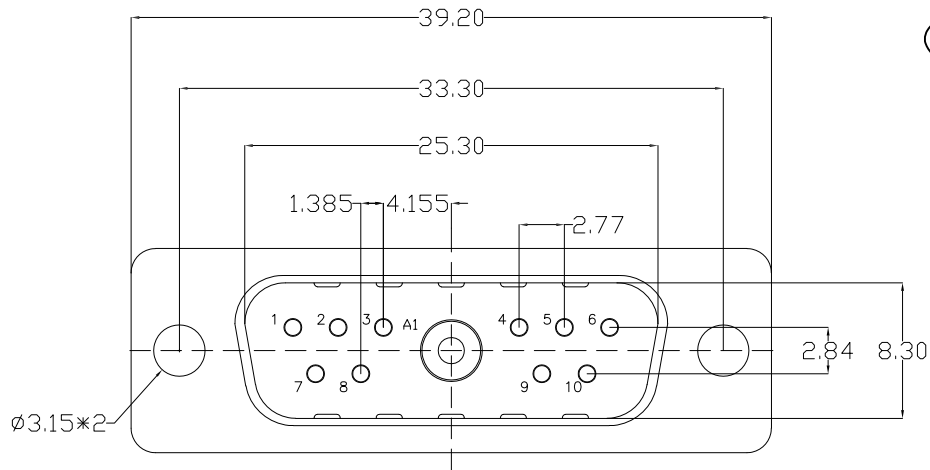


The product using material and processing must conform to the "WI-PZ-001"HSF technical standard control requirements

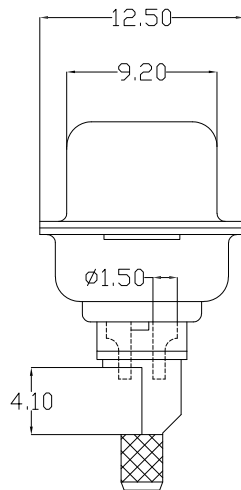
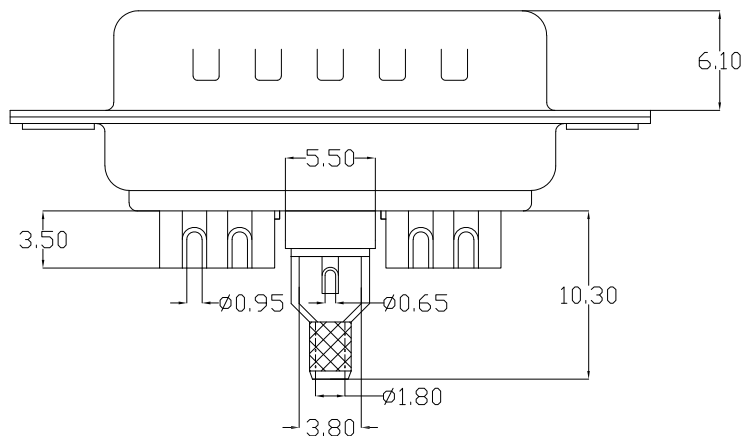
RoHS



ATTACH TERMINAL SHEATH ACCORDING TO THE NUMBER OF COAXIAL TERMINALS



NOTE:
 1.MATERIAL SPECIFICATION:
 1-1.HOUSING:PBT FIBER 30% (UL94V-0)
 1-2.CONTACTS:COPPER ALLOY
 1-3.SHELL: SPCC.
 2.PLATING SPECIFICATION:
 2-1.CONTACTS:
 NI 40U" MIN. UNDER PLATED OVER ALL.
 AU PLATED ON THE FUNCTIONAL AREA OF CONTACT.
 2-2. SHELL:
 NI 30U" MIN. UNDER PLATED OVER ALL.
 3.ELECTRICAL PERFORMANCE:
 3-1.CURRENT RATING:3A
 3-2.VOLTAGE RATING:300V AC
 3-3.HIGH FREQUENCY RESISTANCE: 50 OR 75 OHM.
 3-4.INSULATION RESISTANCE: 3000MΩ MIN
 3-5.DIELECTRIC WITHSTANDING VOLTAGE: 1000V AC MIN.
 4.ENVIRONMENTAL PERFORMANCE:
 OPERATING TEMPERATURE: -55°C~+105°C.



WLDBM0-11 4 X X 0090

PLATING:
 1-G/F
 2-AU 3U"
 5-AU 15U"
 6-AU 30U"
 COLOUR:
 A:Black
 K:White
 G:BLUE

REV.	REVISION RECORD	DATE		GENERAL TOLERANCES		SCALE: 1:1	NAME	DATE	PART.NO:	DWG.NO:	 WanLian Teconology Co., Ltd
A0	NEW RELEASE	21.01.13		LINEAR	ANGLES	APPROVED	Wang_jr	21.01.13	WLDBM0-114XX0090	ENDE05	
			UNIT:mm	0.00±0.25	X'±3'	DESIGNER	Ding_bo	21.01.13	TITLE:		REV: A0
			SIZE: A4	0.000±0.10	X'X' ±2'	DRAWN	Ou_jian	21.01.13	11W1 MALE coaxial welding		