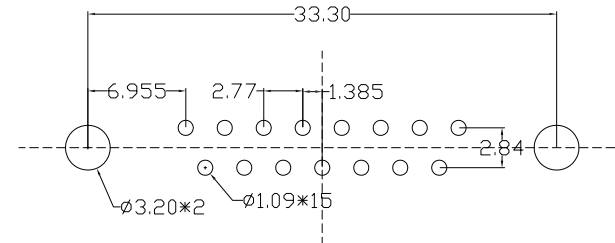
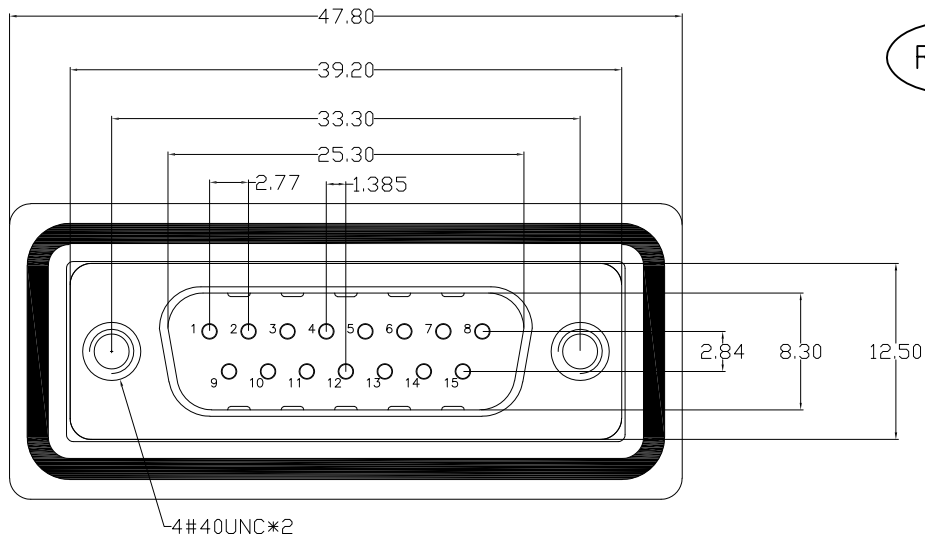


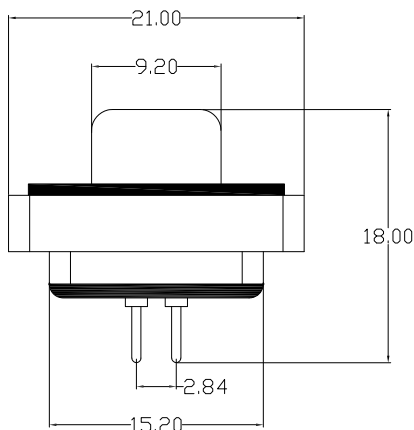
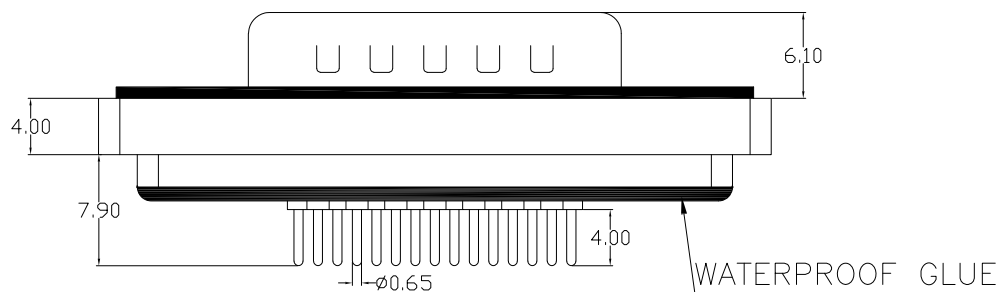
The product using material and processing must conform to the "WI-PZ-001"HSF technical standard control requirements

RoHS



P.C.B LAYOUT

- NOTE:
- MATERIAL SPECIFICATION:
 - 1-1.HOUSING:PBT FIBER 30% (UL94V-0)
 - 1-2.CONTACTS:BRASS.G/F
 - 1-3.SHELL: SPCC.
 - FRONT SHELL IS NICKEL PLATED
 - REAR SHELL IS TIN PLATED
 - 1-4.THE RIVET:COPPER ALLOY,NICKEL PLATING
 - 1-5.WATERPROOF BOX:PA66. BLACK
 - ELECTRICAL PERFORMANCE:
 - 2-1.CURRENT RATING:5A
 - 2-2.VOLTAGE RATING:300V AC MIN
 - 2-3.CONTACT RESISTANCE: 30mΩ MAX.
 - 2-4.INSULATION RESISTANCE: 3000MΩ MIN.at 500V DC
 - 2-5.DIELECTRIC WITHSTANDING VOLTAGE: 1000V AC RMS FOR 1MINUTE.
 - ENVIRONMENTAL PERFORMANCE:
 - OPERATING TEMPERATURE: -55°C~+105°C.
 - WATERPROOF LEVEL:IP67



WLDBM0-15 1 X X 0070
 COLOUR:
 A:Black
 K:White
 PLATING:
 1-G/F
 2-AU 3U"
 5-AU 15U"
 6-AU 30U"

REV.	REVISION RECORD	DATE		GENERAL TOLERANCES		SCALE: 1:1	NAME	DATE	PART.NO:	DWG.NO:	
AO	NEW RELEASE	21.01.13		LINEAR	ANGLES	APPROVED	Wang_jr	21.01.13	WLDBM0-151XX0070	ENDE05	
			UNIT:mm	0.00±0.25	X'±3'	DESIGNER	Ding_bo	21.01.13	TITLE:		REV: A0
			SIZE: A4	0.000±0.10	X'X' ±2'	DRAWN	Ou_jian	21.01.13	DP 15 male needle waterproof		