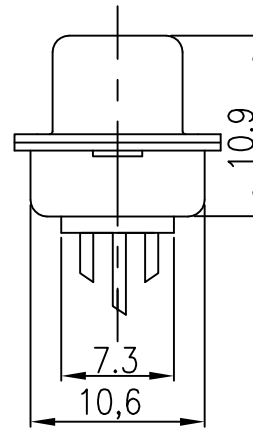
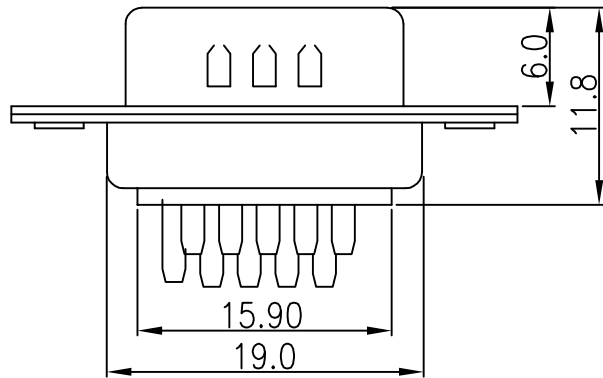
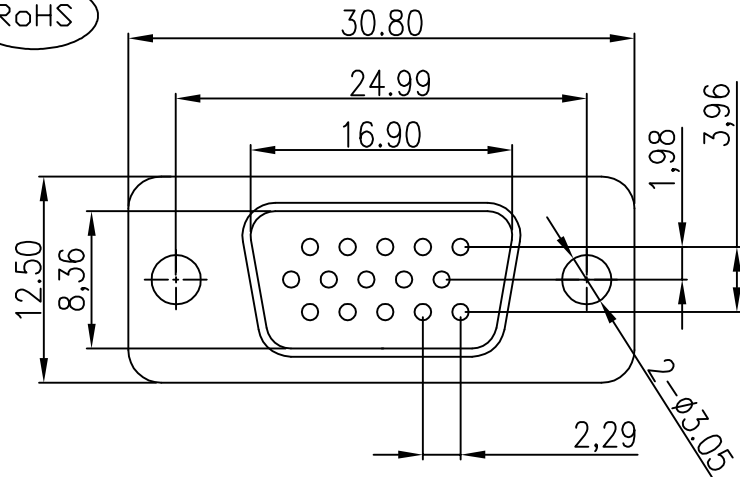


The product using material and processing must conform to the "WI-PZ-001" HSF technical standard control requirements

RoHS



NOTE:

1. MATERIAL:

- 1.1 HOUSING: PBT+30%GF, UL94V-0, COLOR: BLUE.
- 1.2 TERMINAL: COPPER ALLOY.
- 1.3 SHELL: SPCC

2. PLATING:

- 2.1 CONTACT: SELECTIVE GOLD PLATED ON CONTACT AREA 80u" Min. TIN PLATED ON SOLDER TAIL 50u" Min. NICKEL UNDER-PLATED
- 2.2 SHELL: 50u" Min, NICKEL PLATED OVERALL
- 2.3 BOARDLOCK: 50u" Min, TIN PLATED OVERALL.
- 2.4 BRACKET: 50u" Min, TIN PLATED OVERALL.

3. SPECIFICATIONS:

- VOLTAGE: 250 VAC(RMS) MAX.
- CURRENT RATING: 3 AMPERE PER CONTACT
- CONTACT RESISTANCE: 25 MILLIOHMS MAX.
- INSULATION RESISTANCE: 5000 MEGOHMS MIN.
- DIELECTRIC WITHSTANDING VOLTAGE: 1000V AC(RMS)
- VGA TOTAL MATING FORCE: 6.0 KGF MAX.
- VGA TOTAL UNMATING FORCE: 1.2 KGF MIN.
- MATING FORCE: 5.1Kg.Max.
- UNMATING FORCE: 1.0Kg.Min.
- OPERATING TEMPERATURE: -25? ~ +85?

4. DESIGN STANDARD ACCORDING TO D-SUB SPECIFICATION.

P/N: WLDBM0-15 4 X X 0 123

PLATING: 1-G/F COLOUR: G-BLUE

REV.	REVISION RECORD	DATE		GENERAL TOLERANCES		SCALE: 1:1	NAME	DATE	PART NO: WLDBM0-154XX0123	DWG NO: ENDE05	
A0	NEW RELEASE	21.01.13		LINEAR	ANGLES	APPROVED	Wang_jr	21.01.13			
			0.0±0.35	X°REF±6°	DESIGNER	Han_Gao	21.01.13	TITLE: HDB 15M 一体 铆合 焊线式 实心针(不连PIN)			
			UNIT: mm	0.00±0.25	X°±3°	DRAWN	Zijun_Huang		21.01.13		
			SIZE: A4	0.000±0.10	X°X'±2°				REV: A0	SHEET: 1/1	