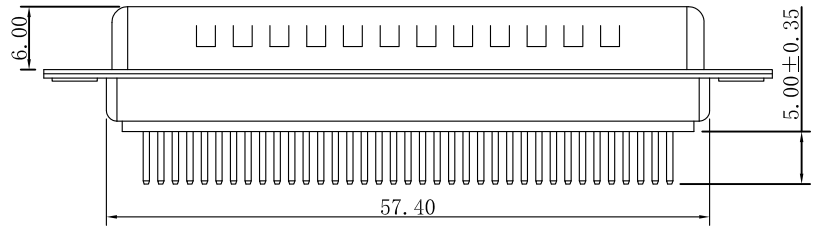
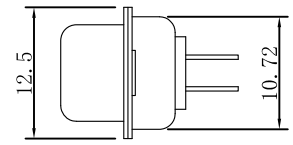
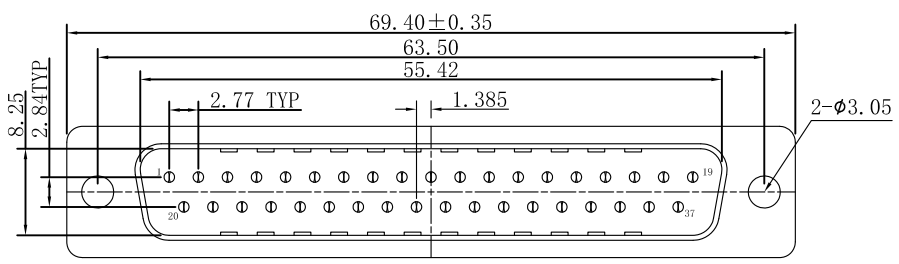
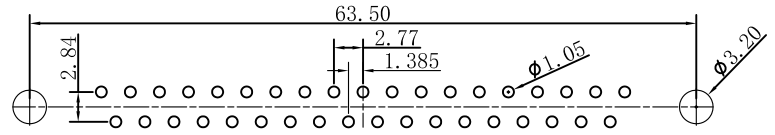


RoHS

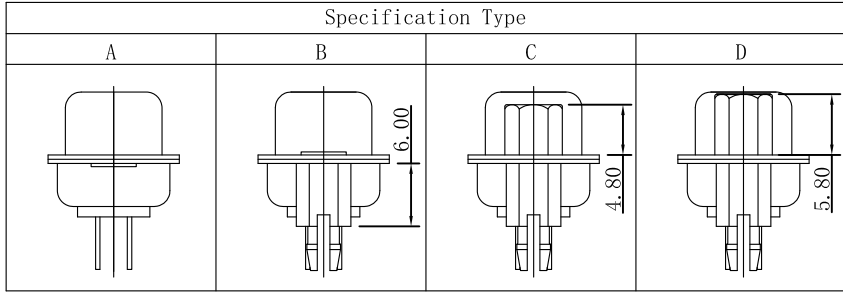
The product using material and processing must conform to the "WI-PZ-001"HSF technical standard control requirements



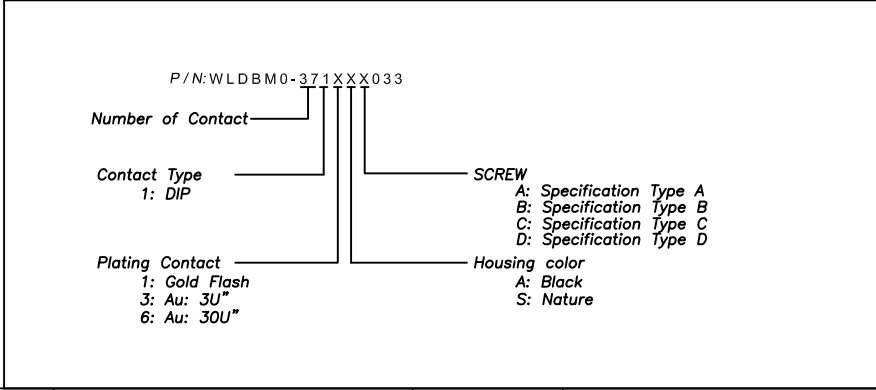
- CHARACTERISTICS:
- 1、 RATED VOLTAGE: 250V AC CD
 - 2、 RATED CURRENT: 3.0AMP
 - 3、 CONTACT RESISTANCE: 30mΩ Max.
 - 4、 INSULATION RESISTANCE: 1000 MΩ MIN.500V DC
 - 5、 Electric Pressure: Keeping 60 second in AC 500V/1mA
 - 6、 Operating temperature: -55℃~105℃
 - 7、 INSERTION/EXTRACTION FORCE PER CONTACT: 12.5Kg Max
1.1Kg Min.



PCB layout



ORDER INFORMTION



REV.	REVISION RECORD	DATE		GENERAL TOLERANCES		SCALE: 1:1	NAME	DATE	PART. NO:	DWG. NO:		
A0	NEW RELEASE	21.01.13		LINEAR	ANGLES	APPROVED	Wang_jr	21.03.11	WLDBM0-371XXX033	ENDE05		
			UNIT: mm	0.00±0.25	X° ±3°	DESIGNER	Ding_Bo	21.03.11	TITLE:		REV: A0	SHEET: 1/1
			SIZE: A4	0.000±0.10	X° X'±2°	DRAWN	Ou_Jian	21.03.11	DP 37M DIP			