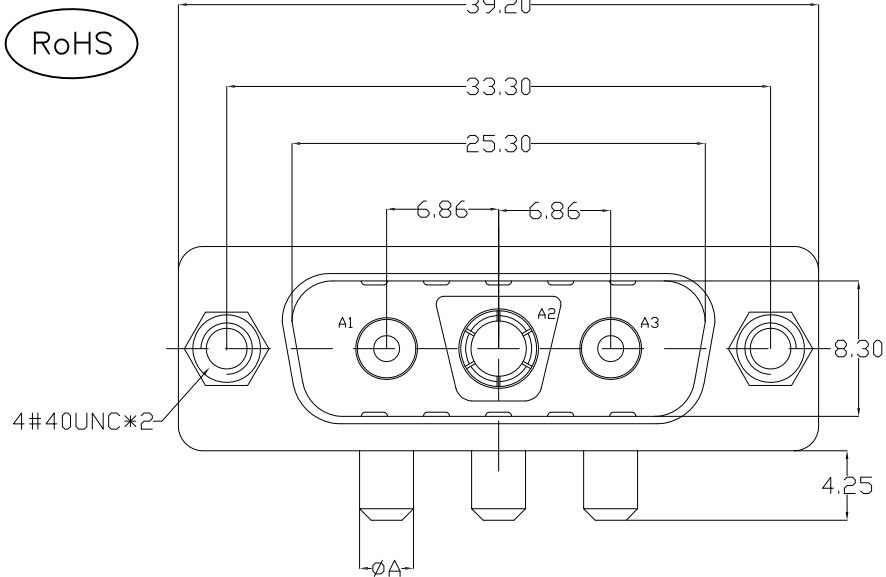
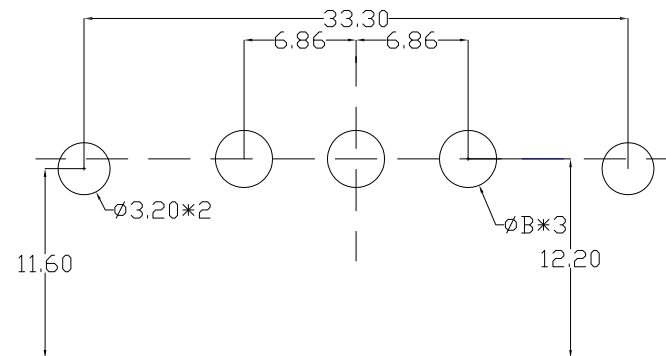


The product using material and processing must conform to the "WI-PZ-001"HSF technical standard control requirements



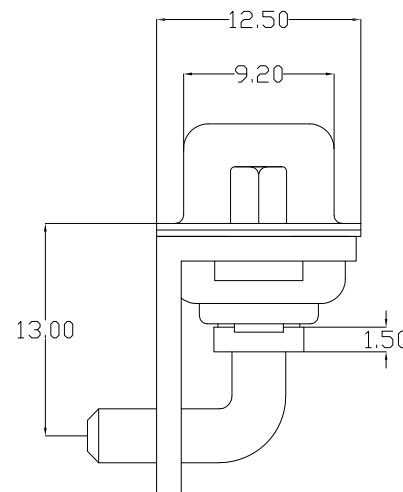
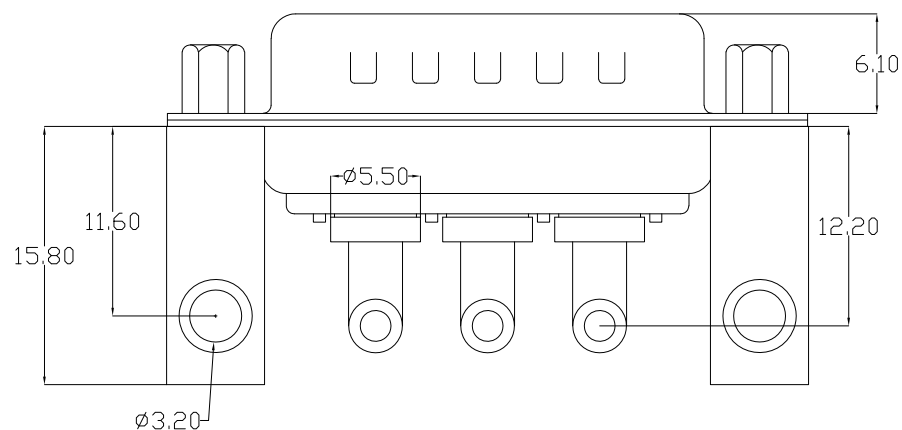
额定电流	$\phi A$	PCB孔 $\phi B$
10A	$\phi 1.80$	$\phi 2.00$
20A	$\phi 2.80$	$\phi 3.00$
30A	$\phi 3.30$	$\phi 3.50$
40A	$\phi 3.80$	$\phi 4.00$



P.C.B LAYOUT

NOTE:

- MATERIAL SPECIFICATION:
  - HOUSING: PBT FIBER 30% (UL94V-0)
  - CONTACTS: BRASS
  - SHELL: STAINLESS STEEL
  - RIVET: COPPER ALLOY
- PLATING SPECIFICATION:
  - CONTACTS: NI 40U" MIN. UNDER PLATED OVER ALL. AU PLATED ON THE FUNCTIONAL AREA OF CONTACT.
  - SHELL: NI 30U" MIN. UNDER PLATED OVER ALL.
- ELECTRICAL PERFORMANCE:
  - CURRENT RATING: 10A-40A
  - VOLTAGE RATING: 300V AC MAX
  - CONTACT RESISTANCE: 30m $\Omega$  MAX.
  - INSULATION RESISTANCE: 5000M $\Omega$  MIN
  - DIELECTRIC WITHSTANDING VOLTAGE: 1000V AC MIN.
- ENVIRONMENTAL PERFORMANCE:
  - OPERATING TEMPERATURE: -55°C~+105°C.



WLDBM9-03 1 X X X 080

PLATING: 1-G/F 2-AU 3U" 5-AU 15U" 6-AU 30U"  
 RATED CURRENT: 1-10A 2-20A 3-30A 4-40A  
 COLOUR: A:Black K:White

REV.	REVISION RECORD	DATE		GENERAL TOLERANCES		SCALE: 1:1	NAME	DATE	PART.NO:	DWG.NO:		
A0	NEW RELEASE	21.01.13		LINEAR 0.00±0.35 UNIT:mm SIZE: A4	ANGLES X°REF±6° X°±3° X°X'±2°	APPROVED	Wang_jr	21.01.13	WLDBM9-031XXX080	ENDE05		TITLE: D-SUB 3V3 male 90 °DIP
					DESIGNER	Ding_bo	21.01.13					
					DRAWN	Ou_jian	21.01.13					