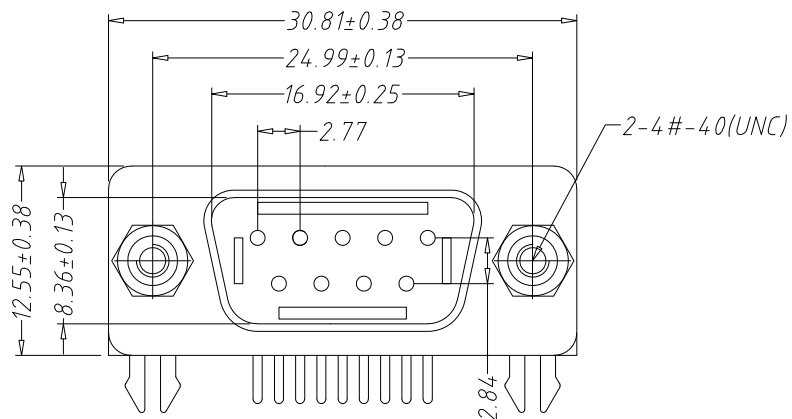
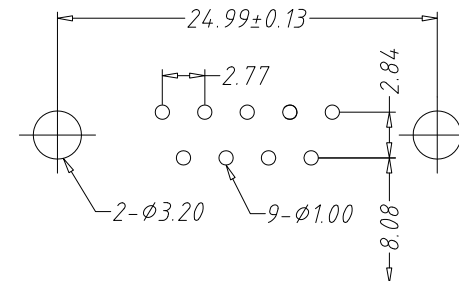


The product using material and processing must conform to the "WI-PZ-001"HSF technical standard control requirements



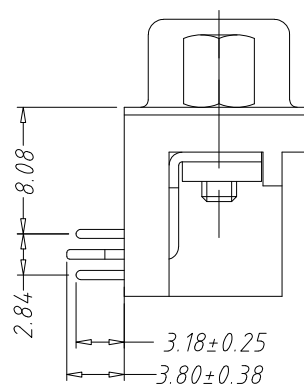
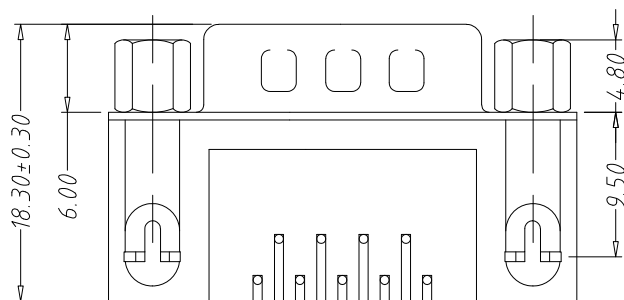
RoHS



PCB LAYOUT

NOTE:

- 1.MATERIAL SPECIFICATION:
  - 1-1.HOUSING:PBT FIBER 30% (UL94V-0)
  - 1-2.CONTACTS:COPPER ALLOY
  - 1-3.SHELL: STAINLESS STEEL.
  - 1-3.RIVET:COPPER ALLOY
  - 1-3.SCREW:STAINLESS STEEL
  - 1-3.BOARD LOCK:SPCC
- 2.PLATING SPECIFICATION:
  - 2-1.CONTACTS:
    - NI 40U" MIN. UNDER PLATED OVER ALL.
    - AU PLATED ON THE FUNCTIONAL AREA OF CONTACT.
  - 2-2. SHELL:
    - NI 30U" MIN. UNDER PLATED OVER ALL.
- 3.ELECTRICAL PERFORMANCE:
  - 3-1.CURRENT RATING:1.5A
  - 3-2.VOLTAGE RATING:AC 1000/60SES.R.M.S
  - 3-3.CONTACT RESISTANCE: 30mΩ MAX.
  - 3-4.INSULATION RESISTANCE: 3000MΩ MIN
  - 3-5.DIELECTRIC WITHSTANDING VOLTAGE: 500V AC MIN.



WLDBM9-09 1 X X 0091

PLATING: 1-G/F 2-AU 3U" 5-AU 15U" 6-AU 30U"  
 COLOUR: A:Black K:White

REV.	REVISION RECORD	DATE	UNIT:mm	GENERAL TOLERANCES		SCALE:	NAME	DATE	PART.NO:	DWG.NO:	
AO	NEW RELEASE	21.01.13		LINEAR	ANGLES	1:1					
			0.00±0.25	X'±3'		DESIGNER	Ding_bo	21.01.13	WLDBM9-091XX0091	ENDE05	
			0.00±0.10	X'X' ±2'		DRAWN	Ou_jian	21.01.13	D-Sub 9PIN 90°DIP MALE		