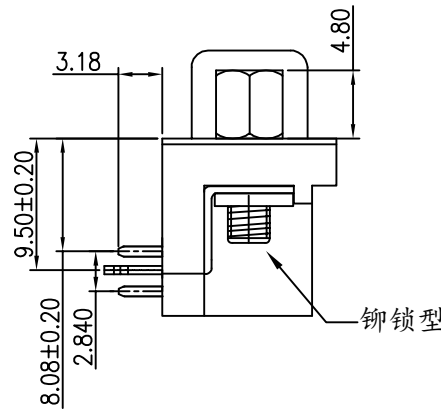
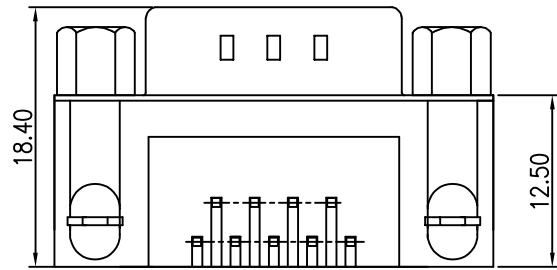
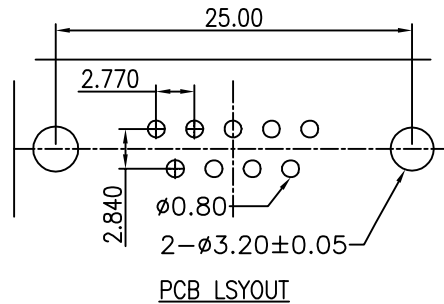
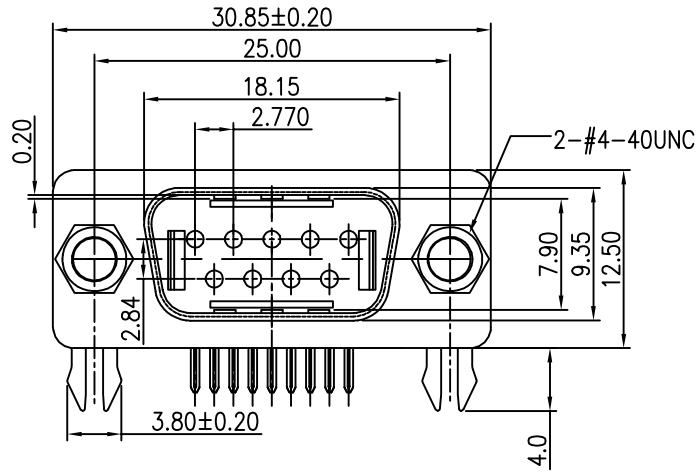


The product using material and processing must conform to the "WI-PZ-001"HSF technical standard control requirements

RoHS



NOTE:

1.MATERIAL SPECIFICATION:

1-1.HOUSING: PBT+30%GF UL94V-0 BLACK

1-2.CONTACTS: COPPER ALLOY

1-3.SHELL: SPCC

1-4.SCREW: SPCC

1-5.GROUNDING: SPCC

2.PLATING:

2-1.CONTACT:

SELECTIVE GOLD PLATED ON CONTACT AREA

80U" MIN. TIN PLATED ON SOLDER TAIL

50U" MIN. NICKEL UNDER-PLATED

2-2.SHELL: 50U" MIN. NICKEL PLATED OVERALL

2-3.SCREW: NICKEL PLATED OVERALL

2-4.GROUNDING: 50u" TIN PLATED OVERALL

3.MECHANICAL PERFORMANCE:

3-1.MATING FORCE: 5.1Kg.Max.

3-2.UNMATING FORCE: 1.0~4.0Kg.

4.ELECTRICAL PERFORMANCE:

4-1.CURRENT RATING: 3A

4-2.VOLTAGE RATING: 250V MAX

4-3.CONTACT RESISTANCE: 25mΩ Max.

4-4.INSULATION RESISTANCE: 5000MΩ MIN

4-5.DIELECTRIC WITHSTANDING VOLTAGE: 1000V AC Min

5.ENVIRONMENTAL PERFORMANCE:

OPERATING TEMPERATURE: -25°C~+85°C.

6.P/N ORDER:

WLDBM9-09 1 X X 0 106

PLATING: —

1-G/F

2-AU 3U"

COLOUR:

A-BLACK

REV.	REVISION RECORD	DATE		GENERAL TOLERANCES		SCALE: 1:1	NAME	DATE	PART.NO: WLDBM9-091XX0106	DWG.NO: ENDE05	
AO	NEW RELEASE	21.01.13		LINEAR	ANGLES	APPROVED	Wang_jr	21.01.13			
			UNIT:mm	0.00±0.25	X'±3'	DESIGNER	Han_Gao	21.01.13	TITLE: DR8.08 9M 90° DIP 黑胶 铆锁		
			SIZE: A4	0.000±0.10	X'X' ±2'	DRAWN	Zijun_Huang	21.01.13	REV: A0	SHEET: 1/1	