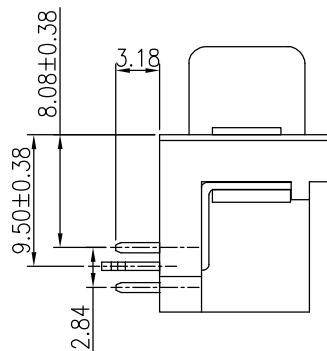
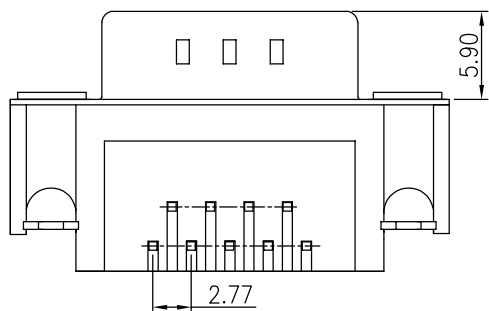
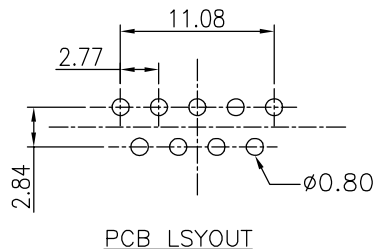
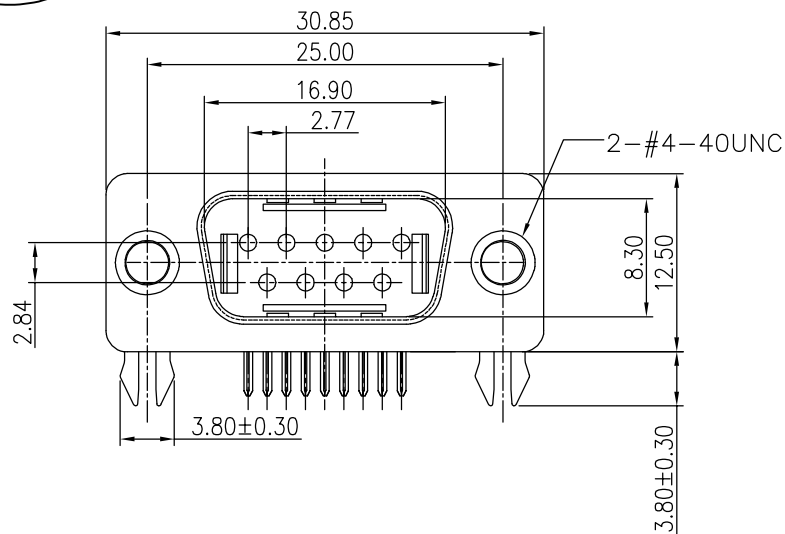


The product using material and processing must conform to the "WI-PZ-001"HSF technical standard control requirements

RoHS



NOTE:

1.MATERIAL SPECIFICATION:

- 1-1.HOUSING: PBT UL94V-0 GREEN
- 1-2.CONTACTS: COPPER ALLOY
- 1-3.SHELL: SPCC
- 1-4.RIVET: COPPER ALLOY

2.PLATING:

- 2-1.CONTACT:
SELECTIVE GOLD PLATED ON CONTACT AREA
80U" MIN. TIN PLATED OVERALL
50U" MIN. NICKEL UNDER-PLATED
- 2-2.SHELL: 50U" MIN. NICKEL PLATED OVERALL
- 2-3.RIVET: NICKEL PLATED OVERALL

3.MECHANICAL PERFORMANCE:

- 3-1.MATING FORCE: 5.1Kg.Max.
- 3-2.UNMATING FORCE: 1.0~4.0Kg.

4.ELECTRICAL PERFORMANCE:

- 4-1.CURRENT RATING: 3A
- 4-2.VOLTAGE RATING: 250V MAX
- 4-3.CONTACT RESISTANCE: 25mΩ Max.
- 4-4.INSULATION RESISTANCE: 5000MΩ MIN
- 4-5.DIELECTRIC WITHSTANDING VOLTAGE: 1000V AC Min

5.ENVIRONMENTAL PERFORMANCE:

OPERATING TEMPERATURE: -25°C~+85°C.

6.P/N ORDER:

WLDBM9-09 1 X X 0 109

PLATING: 1-G/F 2-AU 3U"
COLOUR: F-GREEN

REV.	REVISION RECORD	DATE	UNIT:mm	GENERAL TOLERANCES		SCALE: 1:1	NAME	DATE	PART.NO: WLDBM9-091XX0109	DWG.NO: ENDE05	 WanLian Teconology Co., Ltd
AO	NEW RELEASE	21.01.13		LINEAR	ANGLES	APPROVED	Wang_jr	21.01.13			
			0.00±0.25	X'±3'	DESIGNER	Han_Gao	21.01.13	TITLE: DR8.08 9M 90°DIP			
			0.000±0.10	X'X' ±2'	DRAWN	Zijun_Huang	21.01.13				