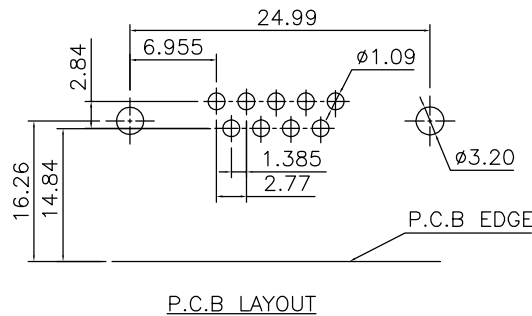
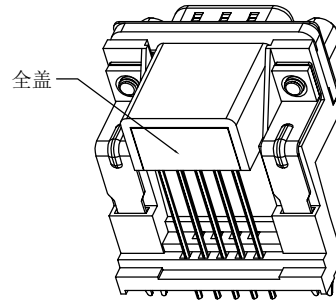
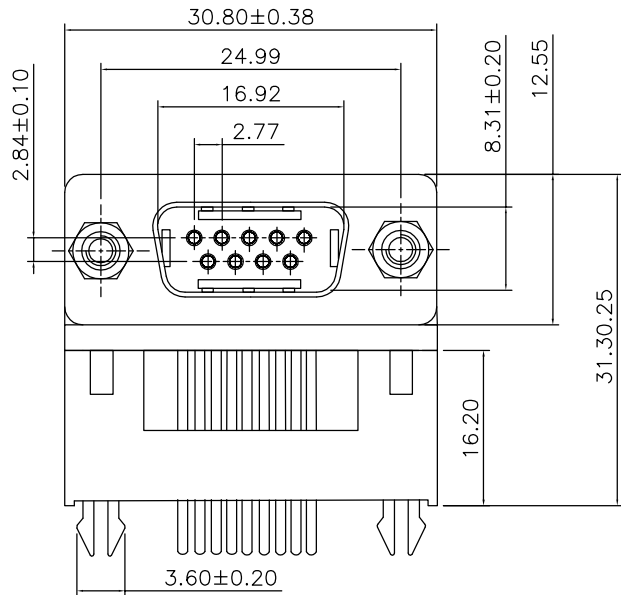


The product using material and processing must conform to the "WI-PZ-001"HSF technical standard control requirements

RoHS



NOTE:

1.MATERIAL SPECIFICATION:

- 1-1.HOUSING: PBT+30%G/F UL94V-0 GREEN
- 1-2.BRACKET: PA66+30%G/F UL94V-0 BLACK
- 1-3.CONTACT:BRASS C2680 H65
- 1-3.SHELL: SPCC-SD
- 1-4.BOARD LOCK: SPCC-SD
- 1-5.RIVET: COPPER ALLOY
- 1-6.SCREW: SPCC-SD

2.PLATING:

- 2-1.CONTACT:
G/F PLATING ON CONTACT AREA,
100U" MATTE TIN PLATED ON SOLDER TAILS
50U" NICKEL PLATED UNDER OVERALL.
- 2-2.SHELL: 50u" Min NICKEL PLATED OVERALL
- 2-3.BOARD LOCK: 100U" TIN PLATING OVER COPPER
- 2-4.RIVET: 50u" NICKEL PLATED OVERALL
- 2-5.SCREW: 50u" NICKEL PLATED OVERALL

3.ELECTRICAL PERFORMANCE:

- 3-1.CURRENT RATING: 2A
- 3-2.VOLTAGE RATING: 250V MAX
- 3-3.CONTACT RESISTANCE: 25mΩ Max.
- 3-4.INSULATION RESISTANCE: 1000MΩ MIN
- 3-5.DIELECTRIC WITHSTANDING VOLTAGE: 500V AC Min

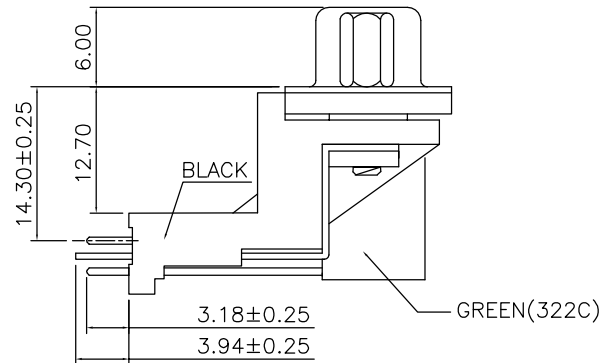
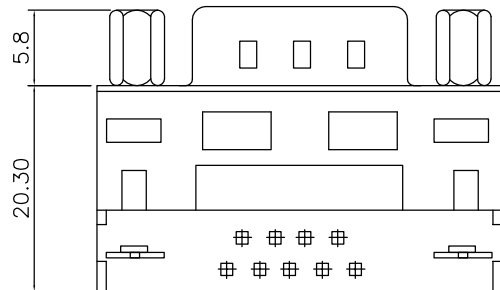
4.ENVIRONMENTAL PERFORMANCE:

OPERATING TEMPERATURE: -55°C~+105°C.

5.P/N ORDER:

WLDBM9-09 1 X X 0 117

PLATING: 1-G/F COLOUR: 1-GREEN+BLACK



REV.	REVISION RECORD	DATE	UNIT:mm	GENERAL TOLERANCES		SCALE:	NAME	DATE	PART.NO:	DWG.NO:		
AO	NEW RELEASE	21.01.13		LINEAR	ANGLES	1:1	Wang_jr	21.01.13				
			0.00±0.25	X'±3'	DESIGNER	Han_Gao	21.01.13		WLDBM9-091XX0117	ENDE05	DR HIGH 9M 90°DIP Rivet Lock	
			0.00±0.10	X'X' ±2'	DRAWN	Zijun_Huang	21.01.13					
			SIZE: A4								REV: A0	SHEET: 1/1