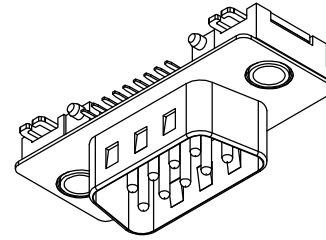
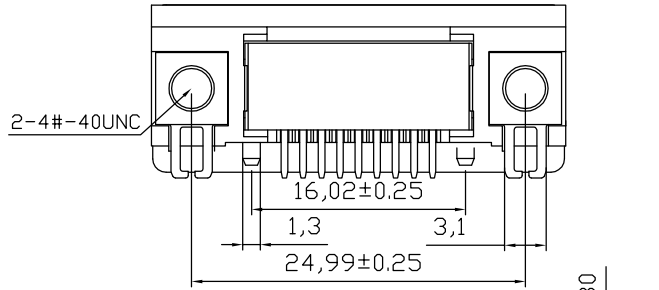


The product using material and processing must conform to the "WI-PZ-142"HSF technical standard control requirements



NOTE:

1.MATERIAL SPECIFICATION:

1-1.HOUSING:LCP BLACK UL94V-0

1-2.CONTACTS:COPPER ALLOY .

1-3.SHELL: SPCC.

2.PLATING SPECIFICATION:

2-1.CONTACTS:

Ni 50u" MIN. UNDER PLATED OVER ALL.

Au PLATED ON THE FUNCTIONAL AREA OF CONTACT.

2-2. SHELL:

Ni 30u" MIN. UNDER PLATED OVER ALL.

3.ELECTRICAL PERFORMANCE:

3-1.CURRENT RATING:1.5A

3-2.VOLTAGE RATING:240V AC.

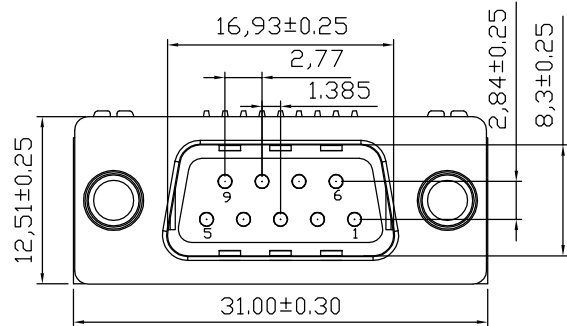
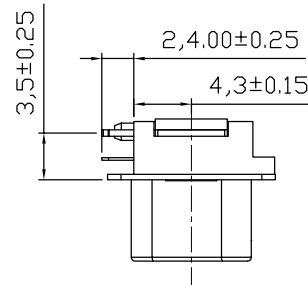
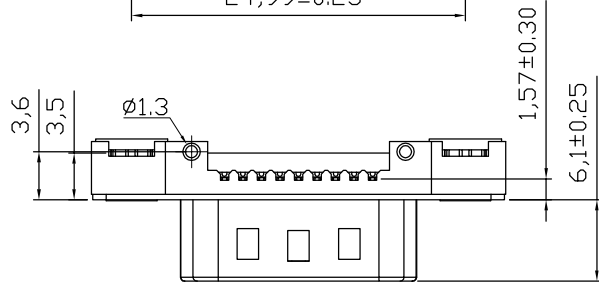
3-3.CONTACT RESISTANCE: 30mΩ Max.

3-4.INSULATION RESISTANCE: 1000MΩ MIN

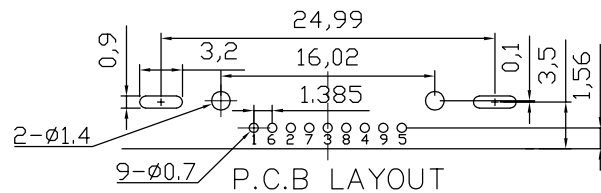
3-5.DIELECTRIC WITHSTANDING VOLTAGE: 500V AC Min

4.ENVIRONMENTAL PERFORMANCE:

OPERATING TEMPERATURE: -55°C~+105°C.



Specification Type (1:2)		
A	B	C



WLDBM9-09 1 X X X 78-024

PLATING: TYPE

1-G/F

2-AU 3U"

5-AU 15U"

COLOUR:

A: Specification Type A

B: Specification Type B

C: Specification Type C

A:Black

REV.	REVISION RECORD	DATE	UNIT: mm	GENERAL TOLERANCES		SCALE: 1:1	NAME	DATE	PART. NO:	DWG. NO:	TITLE:	REV: A0	SHEET: 1/1
				LINEAR	ANGLES								
A0	NEW RELEASE	21.01.13		0.00±0.25	X° REF±6°	APPROVED	Wang_jr	21.03.11	WLDBM9-091XXX78-024	ENDE05	SLIM 9M 90° DIP CL=4.3		
			SIZE: A4	0.00±0.25	X° ±3°	DESIGNER	Ding_Bo	21.03.11					
				0.000±0.10	X° X'±2°	DRAWN	Ou_Jian	21.03.11					

