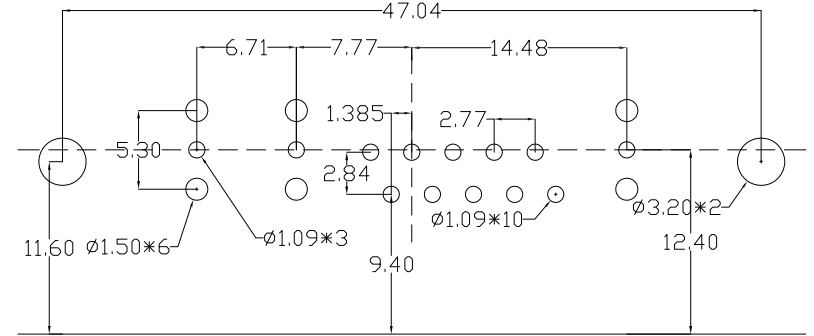
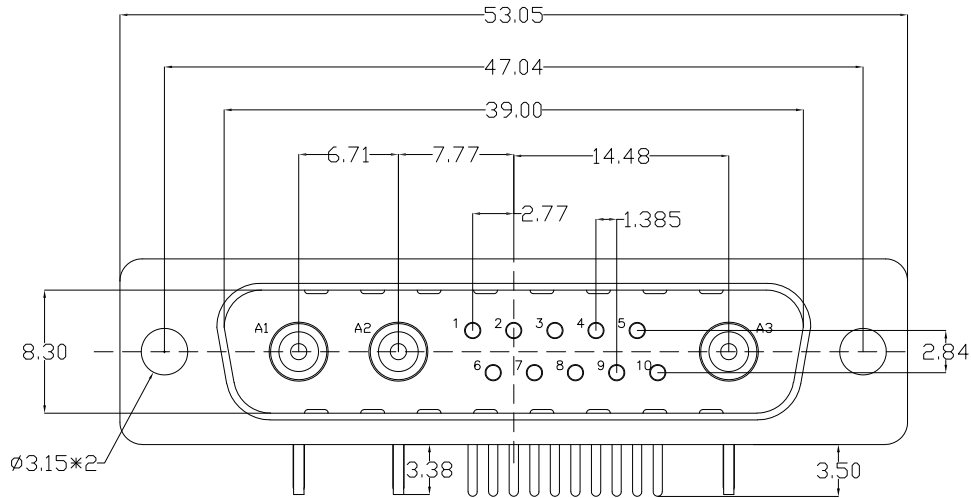
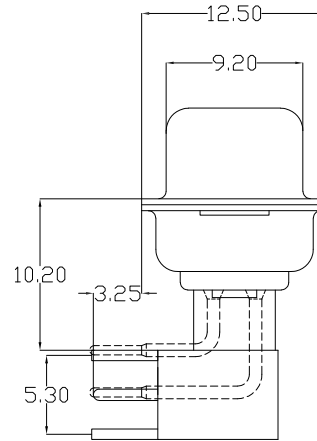
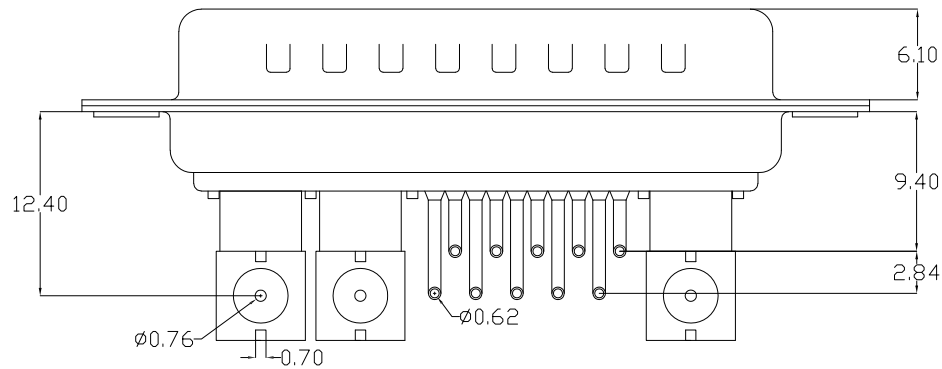


The product using material and processing must conform to the "WI-PZ-142"HSF technical standard control requirements



P.C.B LAYOUT

- NOTE:
- MATERIAL SPECIFICATION:
 - HOUSING:PBT FIBER 30% (UL94V-0)
 - CONTACTS:Copper alloy
 - SHELL: SPCC.
 - PLATING SPECIFICATION:
 - CONTACTS:
 - NI 40U" MIN. UNDER PLATED OVER ALL. AU PLATED ON THE FUNCTIONAL AREA OF CONTACT.
 - SHELL:
 - NI 30U" MIN. UNDER PLATED OVER ALL.
 - ELECTRICAL PERFORMANCE:
 - CURRENT RATING:3A
 - VOLTAGE RATING:300V AC
 - HIGH FREQUENCY RESISTANCE: 50 OR 75 OHM.
 - INSULATION RESISTANCE: 3000MΩ MIN
 - DIELECTRIC WITHSTANDING VOLTAGE: 500V AC MIN.
 - ENVIRONMENTAL PERFORMANCE:
 - OPERATING TEMPERATURE: -55°C~+105°C.



WLDBM9-13 1 X X 23-070

PLATING: 1-G/F 2-AU 3U" 5-AU 15U" 6-AU 30U"
 COLOUR: A:Black K:White G:BLUE

REV.	REVISION RECORD	DATE		GENERAL TOLERANCES		SCALE:	NAME	DATE	PART.NO:	DWG.NO:	 WanLian Teconology Co., Ltd		
A0	NEW RELEASE	21.01.13		LINEAR	ANGLES	1:1						APPROVED	Wang_jr
			UNIT:mm	0.00±0.25	X'±3'	DESIGNER	Ding_bo	21.01.13	TITLE:			REV: A0	SHEET: 1/1
			SIZE: A4	0.000±0.10	X'X' ±2'	DRAWN	Ou_jian	21.01.13	13W3 common coaxial				