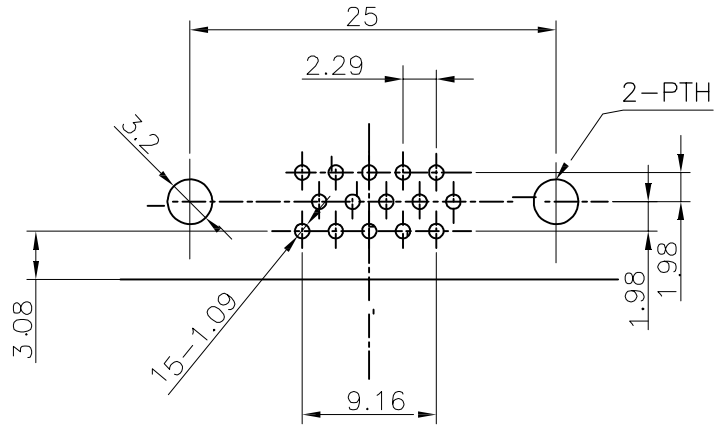
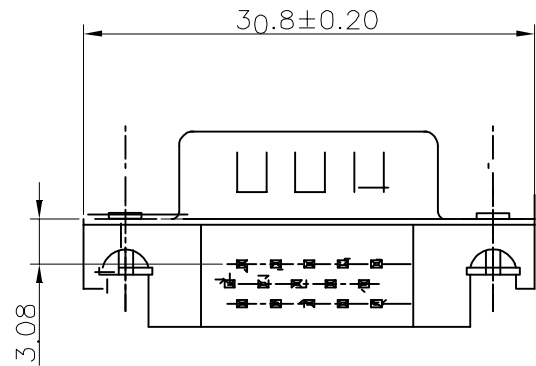
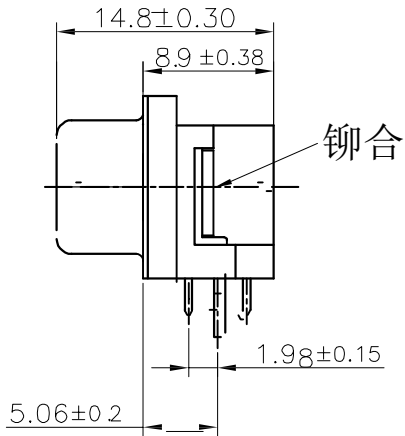
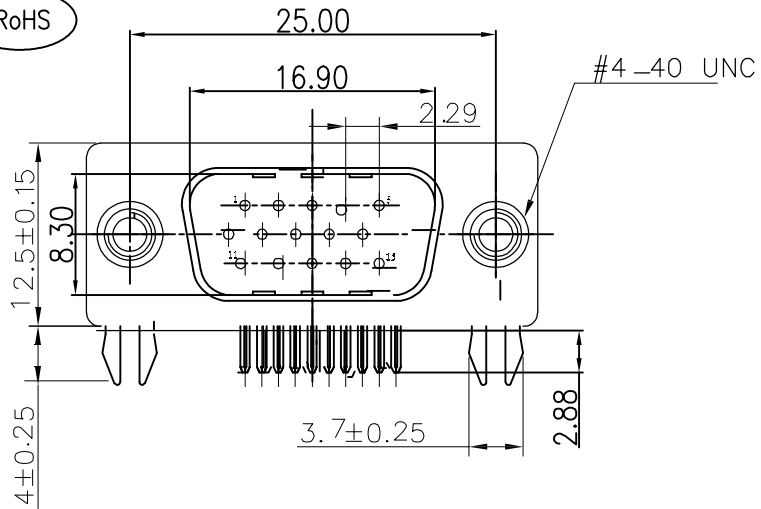


The product using material and processing must conform to the "WI-PZ-001" HSF technical standard control requirements

RoHS



PCB Holes Diagram (Top View)

NOTES:
 *HOUSING: PBT+30%G/F COLOR: BLACK
 *CONTACT: BRASS T=0.3
 *SHELL: SPCC T=0.3
 *SCREW: SPCC
 *GROUNDING: SPCC T=0.5
 *.ELECTRIC CHARACTERISTICS:
 CONTACT CURRENT RATING: 3.0A MAX.;
 CONTACT VOLTAGE RATING: 100V DC;
 CONTACT RESISTANCE: 30mΩ MAX.;
 DIELECTRIC WITHSTANDING VOLTAGE: 500V AC/60S;
 INSULATION RESISTANCE: 1000 MΩ MIN. AT DC 500V.
 *.MECHANICAL CHARACTERISTICS:
 DURABILITY: 5000 CYCLES.
 INSERTION AND EXTRACTION FORCE:
 INSERTION FORCE: 50N MAX.
 EXTRACTION FORCE: 15N MIN.
 *.ENVIRONMENT CHARACTERISTICS:
 OPERATING TEMPERATURE: -25℃~+70℃
 HUMIDITY: 45-85% RH.
 CONTACT: UNDER PLATED 50u" MIN Ni
 OVER ALL 100u" MIN TIN IN SOLDERING AREA OR
 CONTACT AREA
 SHELL: UNDER PLATED 50u" MIN Cu over All 80u"
 MIN NICKEL
 SCREW: UNDER PLATED 50u" MIN Cu. OVER ALL
 80u" MIN NICKEL
 GROUNDING: UNDER PLATED 50u" MIN Cu.
 UNDER PLATED 50u" MIN NICKEL. OVER ALL
 100u" MIN TIN IN SOLDERING AREA
 P/N: WLDBM9-15 1 X X 0 134

PLATING: 1-G/F COLOUR: A-BLACK

REV.	REVISION RECORD	DATE		GENERAL TOLERANCES		SCALE: 1:1	NAME	DATE	PART.NO: WLDBM9-151XX0134	DWG.NO: ENDE05		
A0	NEW RELEASE	21.01.13		LINEAR	ANGLES	APPROVED	Wang_jr	21.01.13				
			UNIT:mm	0.00±0.25	X'±3'	DESIGNER	Han_Gao	21.01.13	TITLE:			
			SIZE: A4	0.000±0.10	X'X' ±2'	DRAWN	Zijun_Huang	21.01.13	HDR3.08 15M 90°DIP 铆合			
											REV: A0	SHEET: 1/1