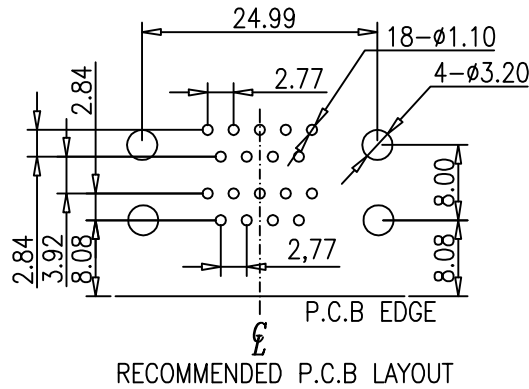
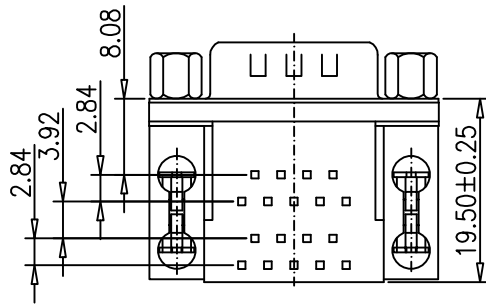
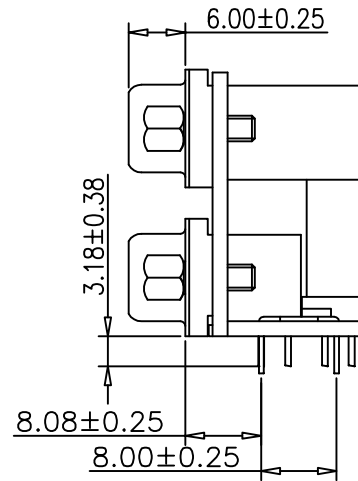
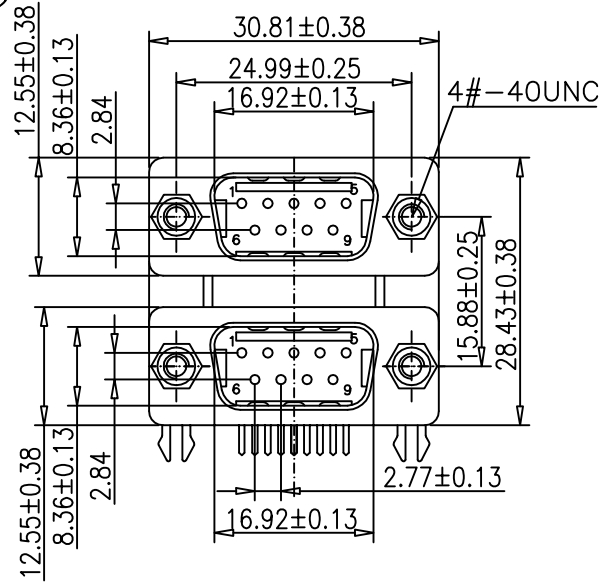


The product using material and processing must conform to the "WI-PZ-001" HSF technical standard control requirements

RoHS



NOTE:

1. MATERIAL:

- 1.1 HOUSING(UPPER):PBT+30%GF, UL94V-0, COLOR:GREEN.
- 1.2 HOUSING(LOWER):PBT+30%GF, UL94V-0, COLOR:GREEN.
- 1.3 HOUSING(CONNECTING SEAT): PBT+30%GF, UL94V-0, COLOR:BLACK
- 1.4 TERMINAL:COPPER ALLOY.
- 1.5 SHELL:SPCC
- 1.6 BRACKET:ZINC ALLOY
- 1.7 BOARD LOCK:

2. PLATING:

- 2.1 CONTACT: SELECTIVE GOLD PLATED ON CONTACT AREA  
80u" Min. TIN PLATED ON SOLDER TAIL  
50u" Min. NICKEL UNDER-PLATED
- 2.2 SHELL:50u" Min, NICKEL PLATED OVERALL
- 2.3 BOARD LOCK: TIN PLATED OVERALL.
- 2.4 BRACKET:NICKEL PLATED OVERALL.

3. SPECIFICATIONS:

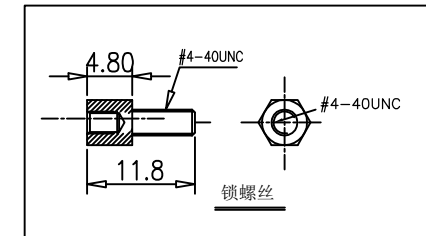
VOLTAGE: 250 VAC(RMS) MAX.  
CURRENT RATING: 3 AMPERE PER CONTACT  
CONTACT RESISTANCE: 25 MILLIOHMS MAX.  
INSULATION RESISTANCE: 1000 MEGOHMS MIN.  
DIELECTRIC WITHSTANDING VOLTAGE: 500V AC(RMS)  
VGA TOTAL MATING FORCE: 6.0 KGF MAX.  
VGA TOTAL UNMATING FORCE: 1.2 KGF MIN.  
DR 9 MALE COVER UNMATING FORCE:6KGF. MIN  
OPERATING TEMPERATURE:-25? ~ +85?

4.P/N ORDER:

WLDBM9-18 1 X X 0 154

PLATING:  
1-G/F

COLOUR:  
F-GREEN



REV.	REVISION RECORD	DATE	GENERAL TOLERANCES		SCALE:	NAME	DATE	PART.NO: WLDBM9-181XX0154	DWG.NO: ENDE05	 万连科技 WanLian Teconology Co., Ltd
A0	NEW RELEASE	21.01.13	LINEAR	ANGLES	1:1	Wang_jr	21.01.13			
			0.0±0.35	X'REF±6°		DESIGNER	Han_Gao	21.01.13	TITLE: DOUBLE LAYER DR9 MALE TO DR9 MALE PITCH 15.88 BLACK CONNECTOR RIVETING	
			0.00±0.25	X'±3°		DRAWN	Zijun_Huang	21.01.13		
			UNIT:mm	0.00±0.10					REV: A0	SHEET: 1/1