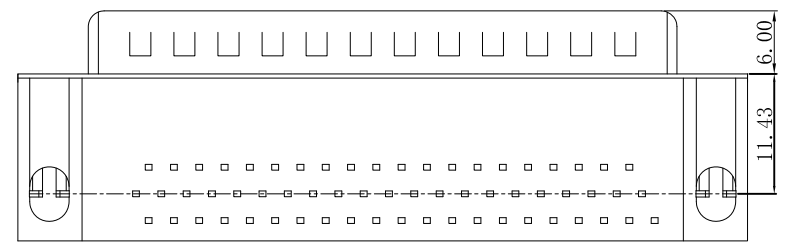
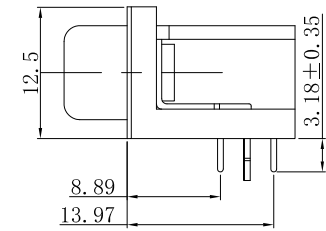
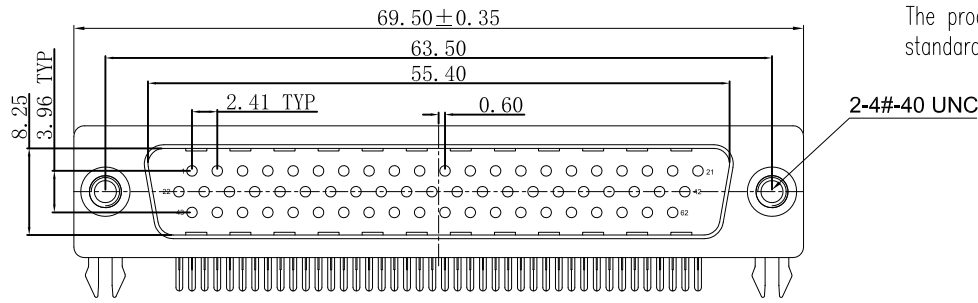
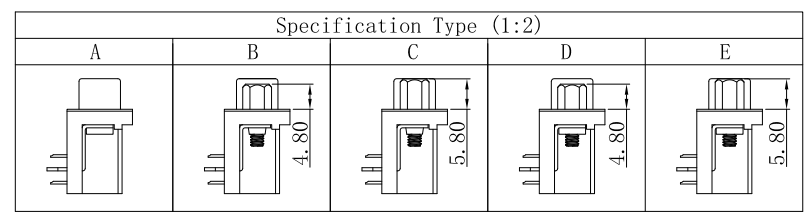
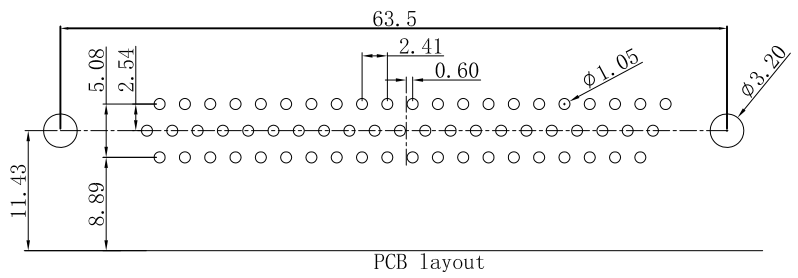


RoHS

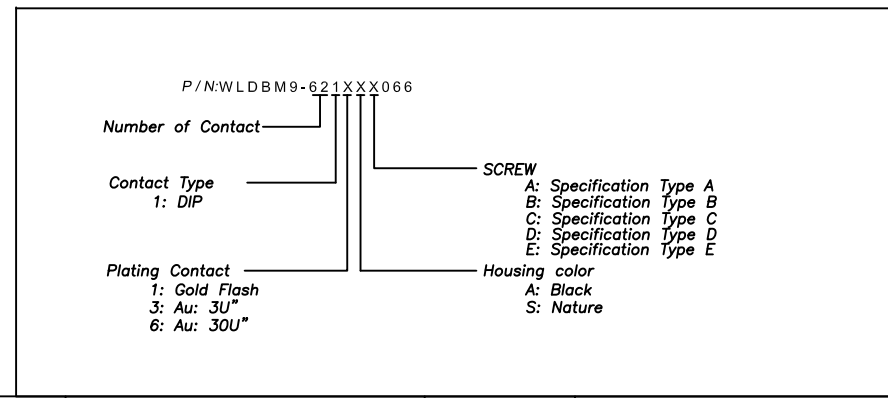
The product using material and processing must conform to the "WI-PZ-001"HSF technical standard control requirements



- CHARACTERISTICS:
1. RATED VOLTAGE: 250V
  2. RATED CURRENT: 3.0AMP
  3. CONTACT RESISTANCE: 30mΩ Max.
  4. INSULATION RESISTANCE: 1000 MΩ MIN. 500V DC
  5. Electric Pressure: Keeping 60 second in AC 500V/1mA
  6. Operating temperature: -55℃~105℃
  7. INSERTION/EXTRACTION FORCE PER CONTACT: 13.2Kg Max  
1.1Kg Min.



ORDER INFORMATION



REV.	REVISION RECORD	DATE		GENERAL TOLERANCES		SCALE: 1:1	NAME	DATE	PART. NO:	DWG. NO:	
A0	NEW RELEASE	21.01.13		LINEAR	ANGLES	APPROVED	Wang_jr	21.03.11	WLDBM9-621XXX066	ENDE05	
			UNIT: mm	0.00±0.25	X° ±3°	DESIGNER	Ding_Bo	21.03.11	TITLE:		REV: A0      SHEET: 1/1
			SIZE: A4	0.000±0.10	X° X'±2°	DRAWN	Ou_Jian	21.03.11	HDR 62M 8.89 90° DIP		