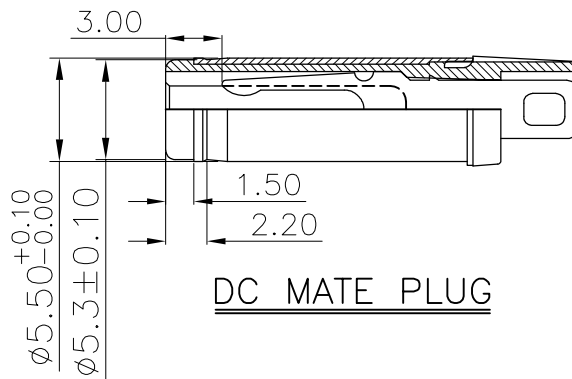
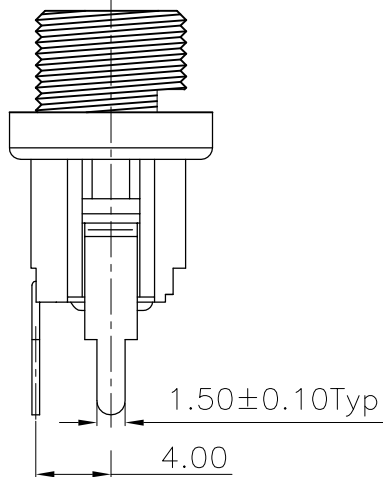
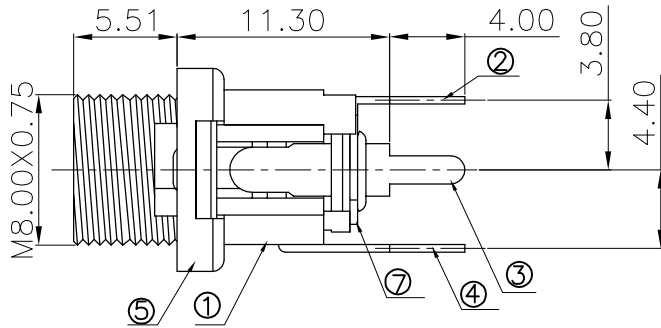
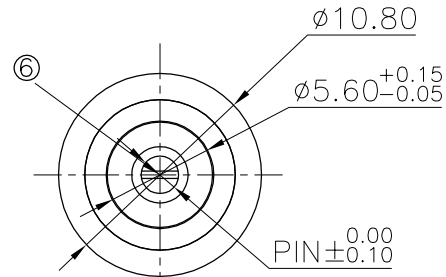
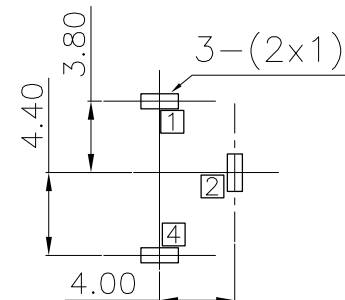


The product using material and processing must conform to the "WI-PZ-001"HSF technical standard control requirements

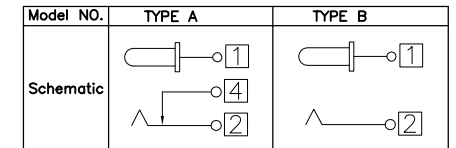
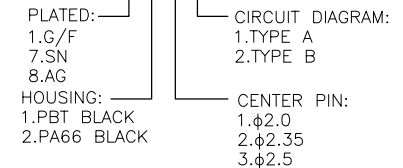


DC MATE PLUG

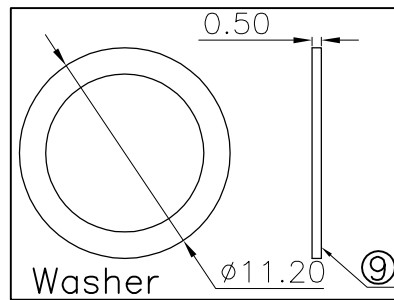
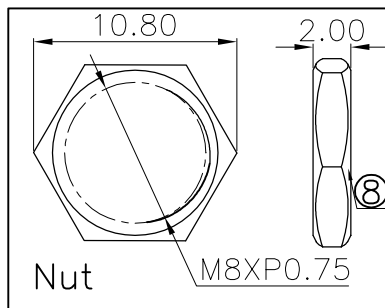


RECOMMENDED P.C.B. LAYOUT
UNSPECIFIED TOLERANCE: ±0.05
(BOTTOM VIEW)

- NOTE:
- MATERIAL SPECIFICATION:
 - HOUSING: PA66
 - TERMINAL 1: BRASS
 - TERMINAL 2: PHOSPHOR BRONZE
 - TERMINAL 3: BRASS
 - BUSHING: COPPER ALLOY
 - CENTER PIN: COPPER ALLOY
 - WASHER-1: BAKELITE
 - NUT: COPPER ALLOY
 - WASHER-2: SPCC
 - PLATING SPECIFICATION:
 - TERMINAL 1/2/3: COPPER&TIN PLATING ON CONTACT AREA
 - BUSHING: NICKEL PLATING
 - CENTER PIN: NICKEL PLATING ON CONTACT AREA.
 - NUT: NICKEL PLATING
 - WASHER-2: NICKEL PLATING.
 - MECHANICAL PERFORMANCE:
 - INSERTION AND EXTRACTION FORCE: 3-30N
 - DURABILITY: 5000 CYCLES.
 - ELECTRICAL PERFORMANCE:
 - RATED CURRENT: 0.5A
 - NOMINAL VOLTAGE: 30V
 - CONTACT RESISTANCE: 30mΩ MAX
AFTER TEST: 50mΩ MAX
 - INSULATION RESISTANCE: 100MΩ MIN
AFTER TEST: 50MΩ MIN
 - WITHSTANDING VOLTAGE: 500V AC
 - OPERATION TEMPERATURE RANGE: -20°C~70°C
PRESERVATIVE TEMPERATURE RANGE: -40°C~85°C
 - P/N: WLDCF0-03 X X X X 02-052



□: TERMINAL NO.



PIN	φ2.0	φ2.35	φ2.5

REV.	REVISION RECORD	DATE	GENERAL TOLERANCES	SCALE:	NAME	DATE	PART.NO:	DWG.NO:	 万连科技 WanLian Teconology Co., Ltd								
A0	NEW RELEASE	21.01.13	<table border="1"> <tr> <td>LINEAR</td> <td>ANGLES</td> </tr> <tr> <td>0.0±0.35</td> <td>X'REF±6'</td> </tr> <tr> <td>0.00±0.25</td> <td>X'±3'</td> </tr> <tr> <td>0.000±0.10</td> <td>X'X' ±2'</td> </tr> </table>	LINEAR	ANGLES	0.0±0.35	X'REF±6'	0.00±0.25		X'±3'	0.000±0.10	X'X' ±2'	1:1	Wang_jr	21.01.13	WLDCF0-03XXXX02-052	ENDE05
LINEAR	ANGLES																
0.0±0.35	X'REF±6'																
0.00±0.25	X'±3'																
0.000±0.10	X'X' ±2'																
			UNIT:mm	APPROVED	Han_Gao	21.01.13	TITLE:	REV: A0									
			SIZE: A4	DESIGNER	Zijun_Huang	21.01.13	DC POWER JACK	SHEET: 1/1									