

The product using material and processing must conform to the "WI-PZ-001"HSF technical standard control requirements

RoHS

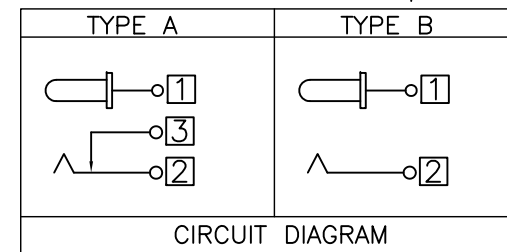
NOTE:

- 1.MATERIAL SPECIFICATION:
 - 1-1.HOUSING:PA9T
 - 1-2.COVER:PA9T
 - 1-3.CENTER PIN:BRASS
 - 1-4.TERMINAL 1:BRASS T=0.50mm
 - 1-5.TERMINAL 2:PHOSPHEOR BRONZE T=0.25mm
 - 1-6.TERMINAL 3:BRASS T=0.50mm
- 2.PLATING SPECIFICATION:
 - 2-1.CENTER PIN:
NICKEL PLATING ON CONTACT AREA.
 - 2-2.TERMINAL 1/2/3:
SILVER PLATING ON CONTACT AREA.
- 3.MECHANICAL PERFORMANCE:
 - 3-1.INSERTION AND EXTRACTION FORCE:3N~30N
 - 3-3.DURABILITY: 5000 CYCLES.
- 4.ELECTRICAL PERFORMANCE:
 - 4-1.RATED CURRENT:1A
 - 4-2.NOMINAL VOLTAGE:30V
 - 4-3.CONTACT RESISTANCE: 30mΩ MAX
AFTER TEST: 50mΩ MAX
 - 4-4.INSULATION RESISTANCE: 100MΩ MIN
AFTER TEST: 50MΩ MIN
 - 4-5.WITHSTANDING VOLTAGE: 500V AC
- 5.OPERATION TEMPERATURE RANGE:-20°C~70°C
PRESERVATIVE TEMPERATURE RANGE:-40°C~85°C
- 6.P/N: WLDCF9-03 X 1 X X 048

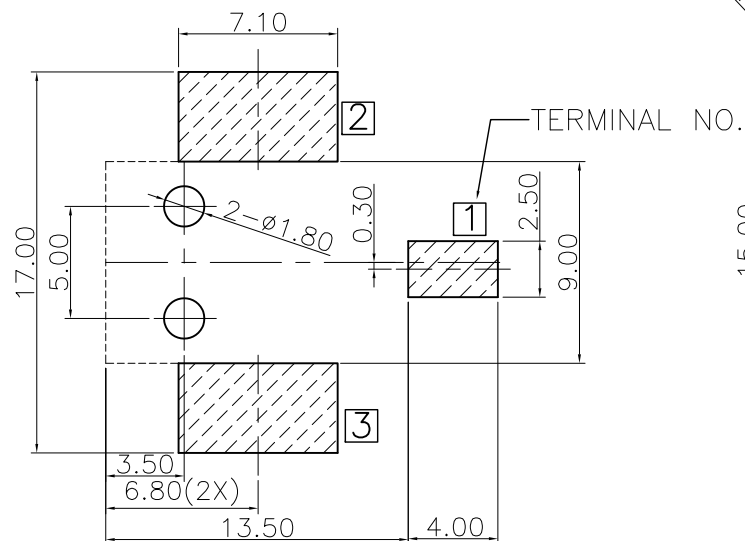
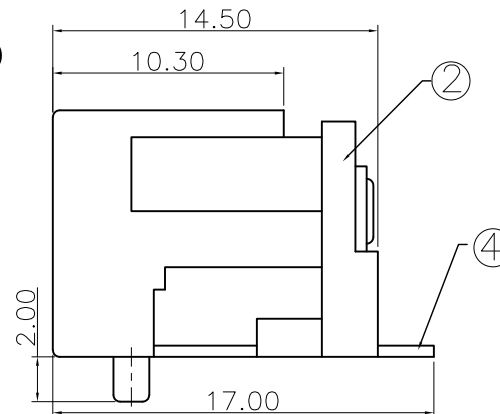
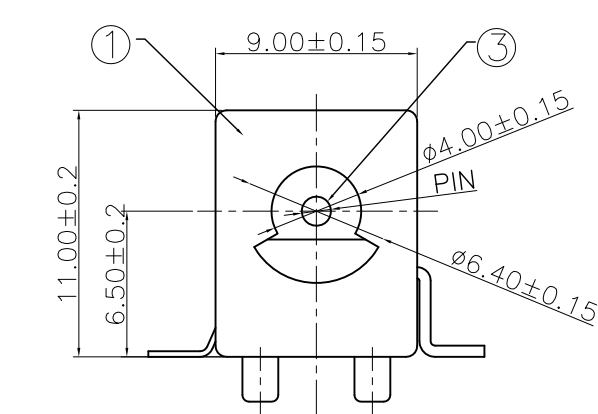
PLATED: 1.G/F
7.SN
8.AG
HOUSING: 1.PA9T BLACK

CIRCUIT DIAGRAM:
1.TYPE A
2.TYPE B

CENTER PIN:
1.φ1.0
2.φ1.30

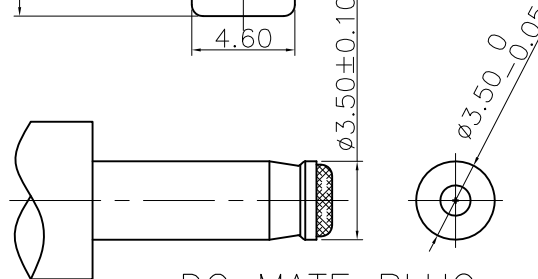
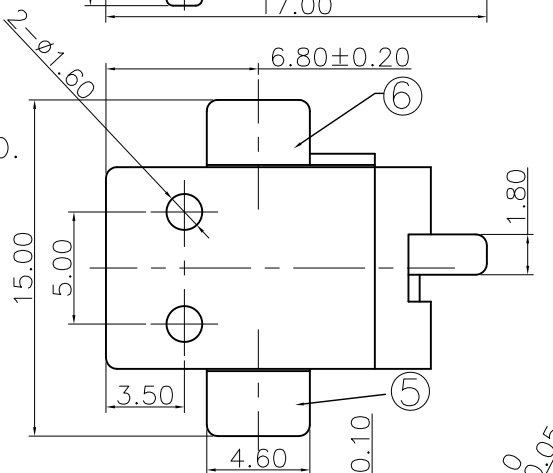


□ : TERMINAL NO.



RECOMMENDED P.C.B. LAYOUT
UNSPECIFIED TOLERANCE:±0.05
(TOP VIEW)

PIN	φ1.10	φ1.30
-----	-------	-------



DC MATE PLUG

REV.	REVISION RECORD	DATE	GENERAL TOLERANCES		SCALE:	NAME	DATE	PART.NO:	DWG.NO:	 WanLian Teconology Co., Ltd	
A0	NEW RELEASE	21.01.13	LINEAR	ANGLES	1:1	Wang_jr	21.01.13	WLDCF9-03X1XX048	ENDE05		
			0.0±0.35	X*REF±6°	APPROVED	Han_Gao	21.01.13	TITLE:			
			0.00±0.25	X*±3°	DESIGNER	Zijun_Huang	21.01.13	DC POWER JACK			
			UNIT:mm		DRAWN					REV: A0	SHEET: 1/1
			SIZE: A4	0.000±0.10							