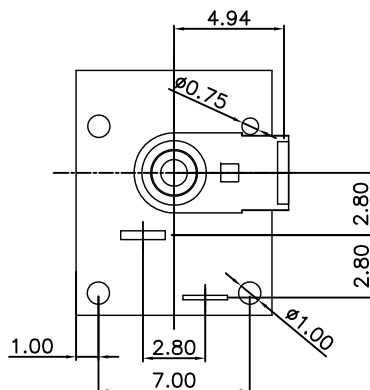
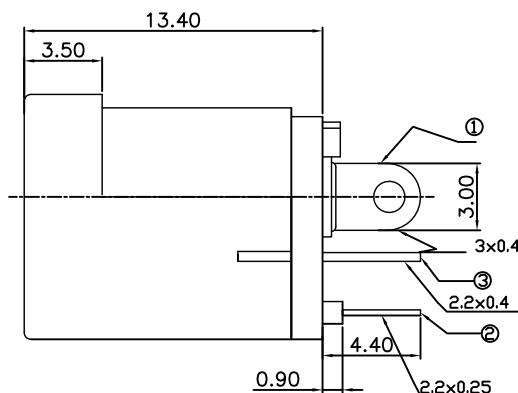
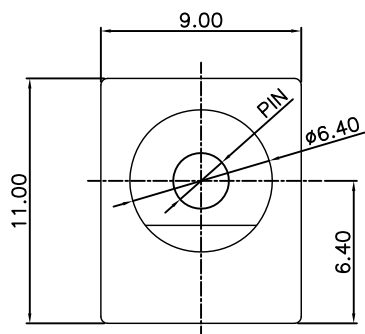
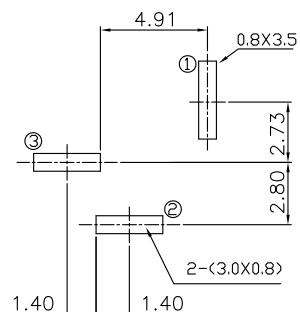


The product using material and processing must conform to the "WI-PZ-001"HSF technical standard control requirements

RoHS



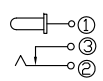
NOTE:  
 1.MECHANICAL PERFORMANCE:  
 1-1.INSERTION FORCE: 3.0~20N  
 1-2.REMOVAL FORCE: 3.0~20N  
 1-3.DURABILITY: 5000 CYCLES.  
 2.ELECTRICAL PERFORMANCE:  
 2-1.CURRENT RATING: 3.5A  
 2-2.VOLTAGE RATING: 24V MAX  
 2-3.CONTACT RESISTANCE: 30mΩ Max.  
 2-4.INSULATION RESISTANCE: 100MΩ MIN  
 2-5.DIELECTRIC WITHSTANDING VOLTAGE: 500V AC Min  
 3.ENVIRONMENTAL PERFORMANCE:  
 OPERATING TEMPERATURE: -55°C~+105°C.  
 4.P/N ORDER:



P.C.B LAYOUT  
TOP VIEW

PIN	φ2.0	φ2.5
APPD.		

SCHMATIC



WLDJF0-031 X X X 021

PLATING:  
7-Sn

SERIES NO:  
6-φ2.0  
7-φ2.5

MATERIAL/COLOR:  
A-PBT/BLACK  
B-LCP/BLACK

6	PIN	1	BRASS	Ni-Plating
5	CURVE PIECE	1	BRASS	Sn-Plating
4	FLAT PIECE	1	BRASS	Sn-Plating
3	SPRING	1	PBS	Sn-Plating
2	COVER	1	PBT/LCP	BLACK
1	HOUSING	1	PBT/LCP	BLACK
NO.	PARTS	Q'TY	MATERIAL	COLOR/PLATED

REV.	REVISION RECORD	DATE		GENERAL TOLERANCES		SCALE: 1:1	NAME	DATE	PART.NO: WLDJF0-031XXX021	DWG.NO: ENDE05	
AO	NEW RELEASE	21.01.13		LINEAR	ANGLES	APPROVED	Wang_jr	21.01.13			
				UNIT:mm	X*±3°	DESIGNER	Han_Gao	21.01.13	TITLE: DC POWER JACK 180°DIP		
				SIZE: A4	0.00±0.10	X*X' ±2°	DRAWN	Zijun_Huang	21.01.13	REV: A0	