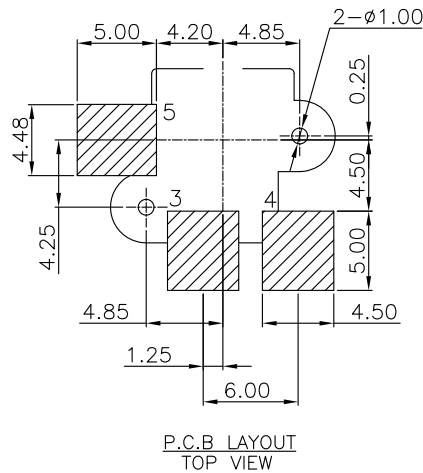
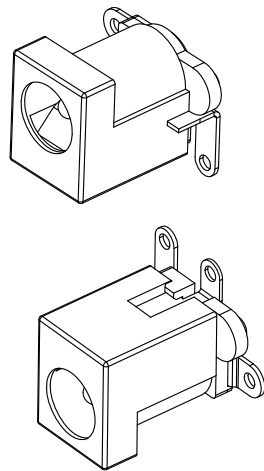
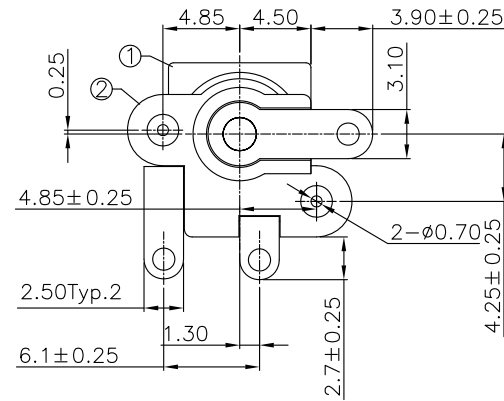
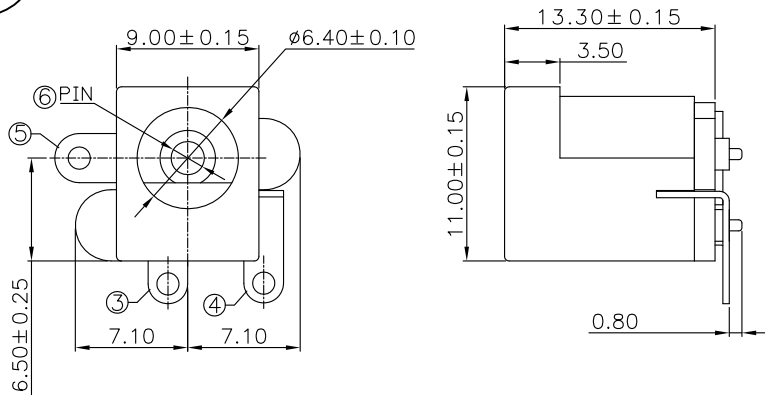
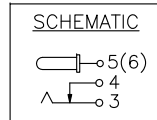


The product using material and processing must conform to the "WI-PZ-001"HSF technical standard control requirements

RoHS



PIN	ø2.0	ø2.5
APPD.		



ELECTRICAL CHARACTERISTICS:

1. RATING: DC 30V, 5.0AMP.
2. CONTACT RESISTANCE: 30m MAX.
3. INSULATION RESISTANCE: 100M MIN.
4. DIELECTRIC WITHSTANDING VOLTAGE: 500V AC.
5. INSERTION AND EXTRACTION FORCE: 3~20N.
6. LITE TEST: 5000 CYCLES.
7. OPERATING TEMPERATURE : -55°C TO +105°C.

WLDJF0-032 X X X 018

PLATING:
8-Ag

SERIES NO:
6-ø2.0
7-ø2.5

COLOUR:
A-PA9T/BLACK

6	PIN	1	BRASS	Ni-Plating
5	FLAT FOOT	1	BRASS	Ag-Plating
4	CURVE PIECE	1	BRASS	Ag-Plating
3	SPRING PIECE	1	BRONZE	Ag-Plating
2	COVER	1	PA9T	Black
1	HOUSING	1	PA9T	Black
NO.	PARTS	Q'TY	MATERIAL	COLOR/PLATING

REV.	REVISION RECORD	DATE		GENERAL TOLERANCES		SCALE: 1:1	NAME	DATE	PART.NO: WLDJF0-032XXX018	DWG.NO: ENDE05	 WanLian Teconology Co., Ltd
AO	NEW RELEASE	21.01.13		LINEAR	ANGLES	APPROVED	Wang_jr	21.01.13			
			UNIT:mm	X°REF±6°	DESIGNER	Han_Gao	21.01.13	TITLE: DC PHONE JACK SMT			
			SIZE: A4	X°X' ±2°	DRAWN	Zijun_Huang	21.01.13	REV: A0	SHEET: 1/1		