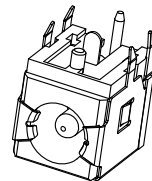
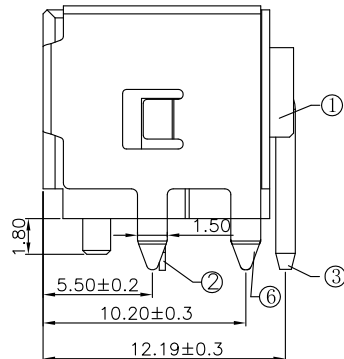
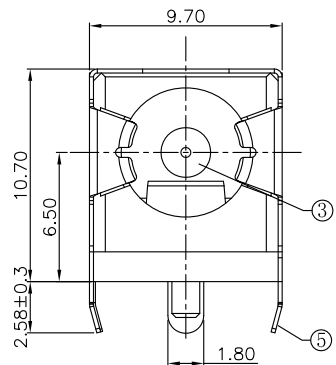


The product using material and processing must conform to the "WI-PZ-001"HSF technical standard control requirements

RoHS



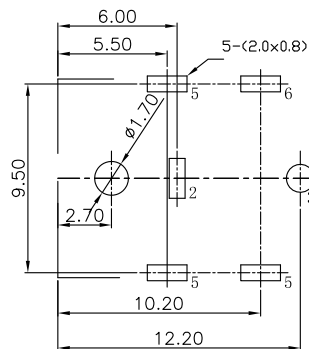
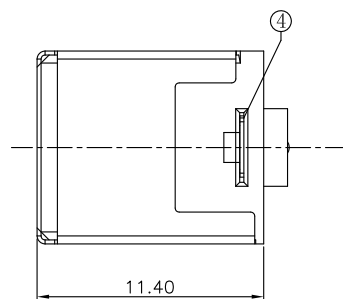
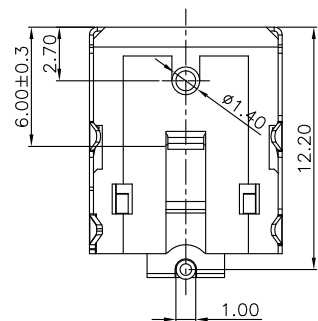
PIN	∅2.0	∅2.5
APPD.		

SCHMATIC



ELECTRICAL CHARACTERISTICS:

1. RATING: DC 24V, 10.0AMP.
2. CONTACT RESISTANCE: 50m MAX.
3. INSULATION RESISTANCE: 100M MIN
4. DIELECTRIC WITHSTANDING VOLTAGE: 500V AC.
5. INSERTION AND EXTRACTION FORCE: 3~20N.
6. LIFE TEST: 5000 CYCLES.
7. OPERATING TEMPERATURE : -55°C TO +105°C.



P. C. B LAYOUT
TOP VIEW

WLDJF9-031 X X X 024

PLATING:
9-Ni

SERIES NO:
6-∅2.0
7-∅2.5

MATERIAL/COLOR:
A-PA9T/BLACK

NO.	DESCRIPTION	QTY	MATERIAL	PLATING/COLOR
6	CONTACT FOOT	1	BRASS	NI-PLATING
5	CONTACT FOOT	1	SUS301	NI-PLATING
4	STOPPER	1	SUS301	
3	PIN	1	BRASS	NI-PLATING
2	SPRING PIECE	1	BRONZE	NI-PLATING
1	HOUSING	1	PA9T	BLACK

REV.	REVISION RECORD	DATE	GENERAL TOLERANCES		SCALE:	NAME	DATE	PART.NO:	DWG.NO:
AO	NEW RELEASE	21.01.13	 LINEAR 0.0±0.35 0.00±0.25 0.000±0.10	 ANGLES X°REF±6° X°±3° X°X'±2°	1:1	Wang_jr	21.01.13	WLDJF9-031XXX024	ENDE05
					APPROVED	DESIGNER	DRAWN		
								TITLE:	
								DC POWER JACK 90°DIP	
								REV: A0	SHEET: 1/1



WanLian Teconology Co., Ltd