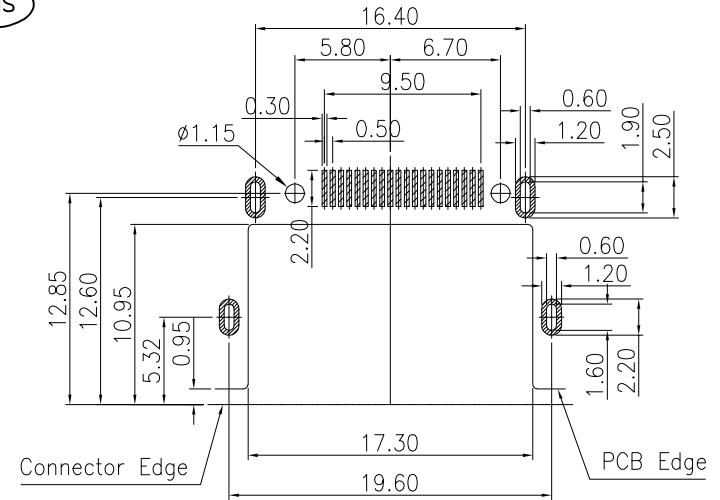
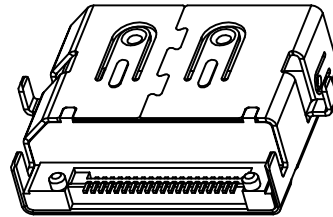
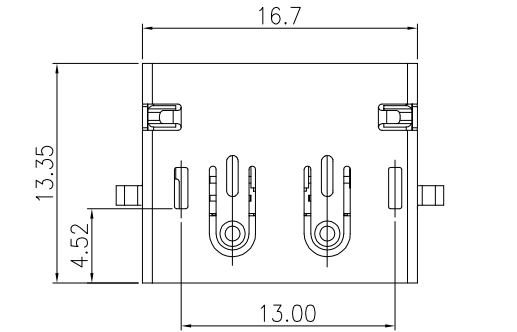
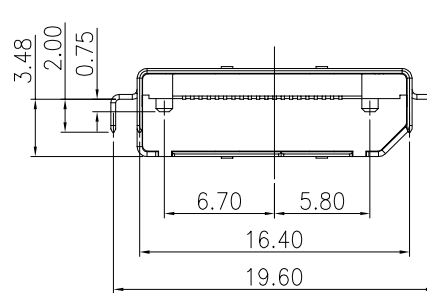
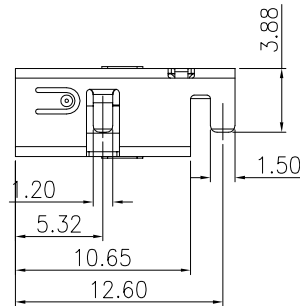
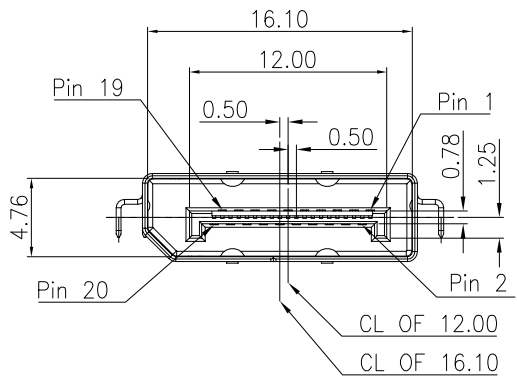


The product using material and processing must conform to the "WL-PZ-001"HSF technical standard control requirements

RoHS



RECOMMENDED PCB LAYOUT  
(THICKNESS=1.60±0.05mm)



NOTE:

A. MATERIAL:

1. Housing: LCP(HF) UL94V-0 Black
2. Contact: Copper Alloy
3. Shell: Steel

B. PLATING:

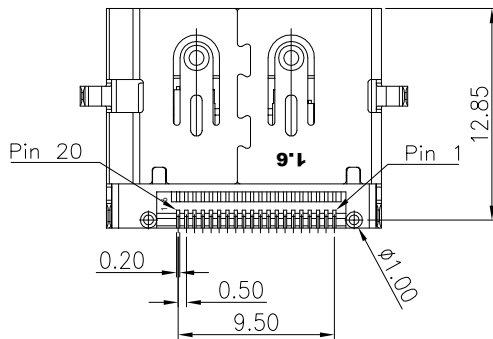
1. Contact: Contact Area Gold Plated  
Solder Area Sn Plated  
Under Plated Nickel
2. Shell: Nickel Plated

C. SPECIFICATION:

1. Current: 0.5A
2. Voltage: 40V RMS
3. Withstanding Voltage: 500V AC
4. Contact Resistance:  $\Delta R = 30 \text{ m}\Omega$  max. (Contact)  
 $\Delta R = 50 \text{ m}\Omega$  max. (Shell)
5. Insulation Resistance: 100 M $\Omega$  min.
6. Temperature Range: -20°C to +85°C
7. Mating And unmating Force:
  - 7.1 Mating Force: 4.5Kgf(44.1N)Max.
  - 7.2 Unmating Force: 1.0Kgf~4.0Kgf(9.8N~39.2N)
8. Durability: 10000 Cycles
9. PACKAGE SPEC: TRAY

WLDPF9-20 8 X X X 001

PLATING:  
1-G/F  
2-AU 3U"  
5-AU 15U"  
6-AU 30U"  
SHELL:  
7-SN  
9-NI  
COLOUR:  
A-Black  
K-White  
H-Purple  
S-NATURE  
G-BLUE



REV.	REVISION RECORD	DATE		GENERAL TOLERANCES		SCALE: 1:1	NAME	DATE	PART.NO:	DWG.NO:	
A0	NEW RELEASE	21.01.13		LINEAR	ANGLES	APPROVED	Wang_jr	21.01.13	WLDPF9-208XXX001	ENDE05	
			UNIT:mm	X'±3'	DESIGNER	Ding_bo	21.01.13	TITLE:		REV: A0	SHEET: 1/1
			SIZE: A4	0.000±0.10	X'X' ±2'	DRAWN	Ou_jian	21.01.13	DP submerged SMT female seat without flanging, 1.6 PCB centered		