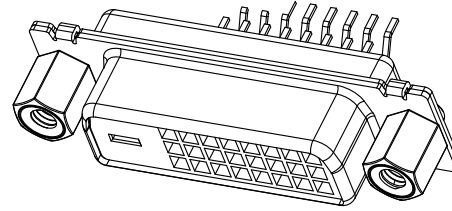
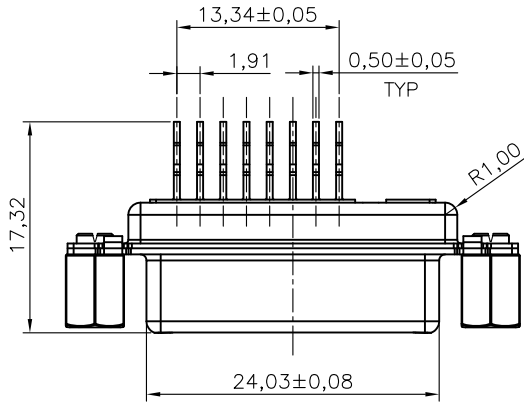
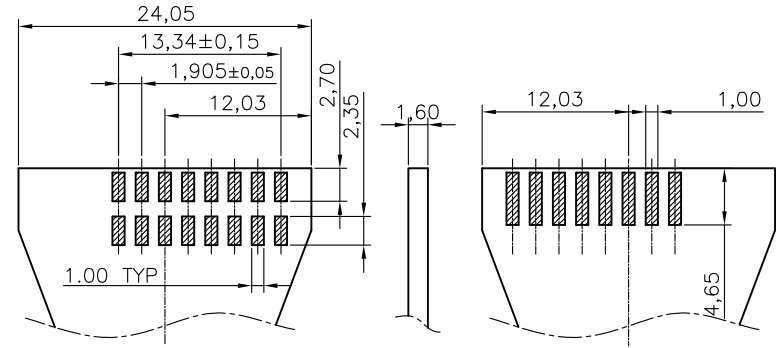


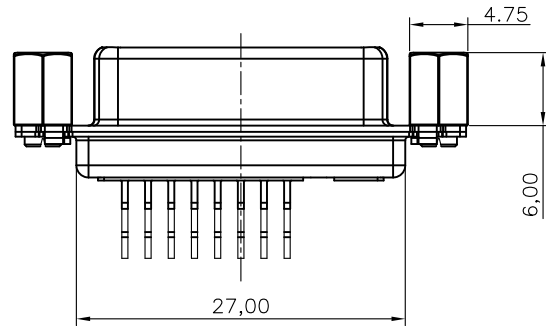
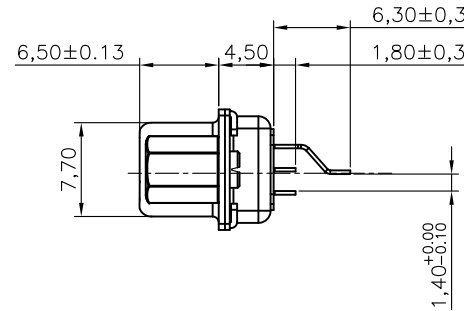
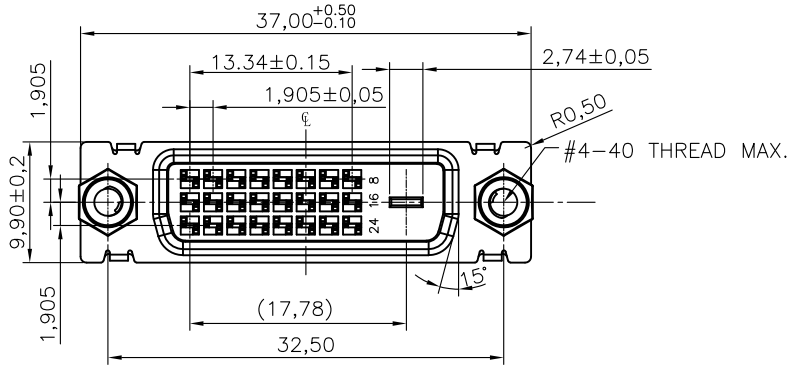
The product using material and processing must conform to the "WI-PZ-001"HSF technical standard requirements



3D VIEW



Recommended P.C.B Layout



NOTE:

- 1.MATERIAL:  
INSULATOR: PA6T GLASS FIBER UL94V-0  
TERMINAL: COPPER ALLOY  
TERMINAL PLATING: SELECTIVE GOLD 15U" ON CONTACT AREA.  
TIN 100U"MIN.ON SOLDER TAIL.  
FRONT SHELL: SPCC-SD NICKEL PLATING ON SURFACE.  
CU PLATING ON BASE.  
BACK SHELL: SPCC-SD TIN PLATING ON SURFACE.  
CU PLATING ON BASE.  
SCREW: COPPER ALLOY. NICKEL PLATING.
- 2.ELECTRICAL:  
INSULATOR RESISTANCE: 1000MEGOHMS MIN. 500V DC.  
DIELECTRIC WITHSTANDING VOLTAGE: 500V DC R.M.S  
VOLTAGE RATING: 40V AC (RMS) CONTINUOUS MAX.  
CURRENT RATING: 1.5A MIN. 3.0A MAX.  
CONTGACT RESISTANCE: 20 MILLIOHMS MAX.
- 3.ENVIRONMENTAL  
TEMPERATURE RANGE:-25°C TO + 85°C.
- 4.MECHANICAL  
MATING FORCE:4.5Kgf MAX.  
UNMATING FORCE:1.0~4.0 Kgf  
SCREW RECEDE AND TWIST FORCE:3.0~4.0Kgf
- 5.ROHS COMPLIANT.

WLDVF0-24 5 X X 0009

PLATING: 1-G/F 2-AU 3U" 5-AU 15U" 6-AU 30U"  
COLOUR: A:Black K:White

REV.	REVISION RECORD	DATE		GENERAL TOLERANCES		SCALE: 1:1	NAME	DATE	PART.NO:	DWG.NO:	
A0	NEW RELEASE	21.01.13		LINEAR	ANGLES	APPROVED	Wang_jr	21.01.13	WLDVF0-245XX0009	ENDE05	
			UNIT:mm	0.0±0.35	X°REF±6°	DESIGNER	Ding_bo	21.01.13	TITLE:		
			SIZE: A4	0.00±0.25	X'±3'	DRAWN	Ou_jian	21.01.13	DVI 24+0 female seat 180° splint SMT	REV: A0	SHEET: 1/1
				0.000±0.10	X'X' ±2'						

WanLian Teconology Co., Ltd