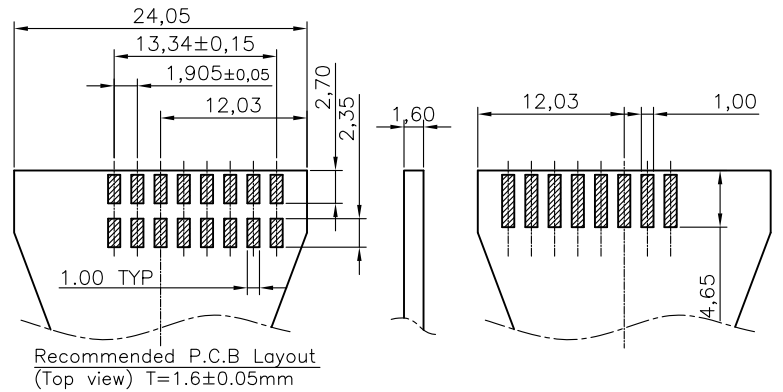
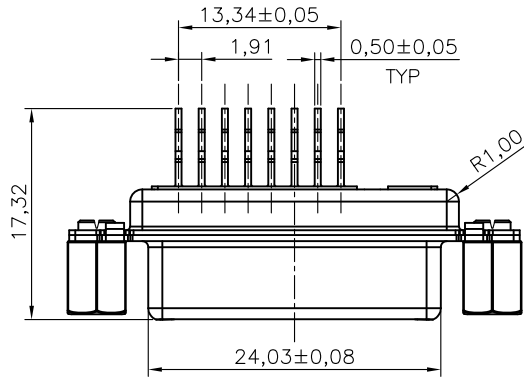


The product using material and processing must conform to the "WI-PZ-001"HSF technical standard control requirements



NOTE:

1.MATERIAL:

INSULATOR: PA6T GLASS FIBER UL94V-0

TERMINAL: COPPER ALLOY

TERMINAL PLATING: SELECTIVE GOLD 15U" ON CONTACT AREA.  
TIN 100U"MIN.ON SOLDER TAIL.

FRONT SHELL: SPCC-SD GOLD FLASH PLATING ON SURFACE.  
CU PLATING ON BASE.

BACK SHELL: SPCC-SD TIN PLATING ON SURFACE.  
CU PLATING ON BASE.

SCREW: COPPER ALLOY. NICKEL PLATING.

2.ELECTRICAL:

INSULATOR RESISTANCE: 1000MEGOHMS MIN. 500V DC.

DIELECTRIC WITHSTANDING VOLTAGE: 500V DC R.M.S

VOLTAGE RATING: 40V AC (RMS) CONTINUOUS MAX.

CURRENT RATING: 1.5A MIN. 3.0A MAX.

CONTACT RESISTANCE: 20 MILLIOHMS MAX.

3.ENVIRONMENTAL

TEMPERATURE RANGE:-25°C TO + 85°C.

4.MECHANICAL

MATING FORCE:4.5Kgf MAX.

UNMATING FORCE:1.0~4.0 Kgf

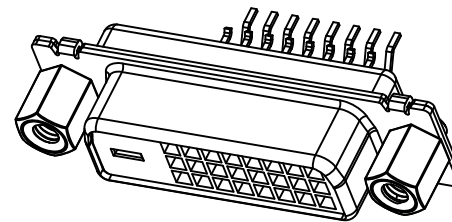
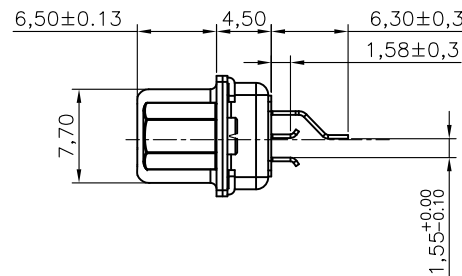
SCREW RECEDE AND TWIST FORCE:3.0-4.0Kgf

5.ROHS COMPLIANT.

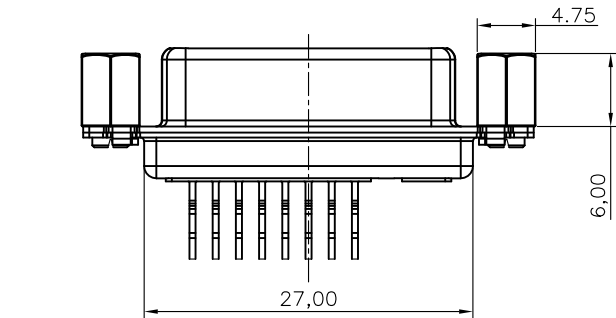
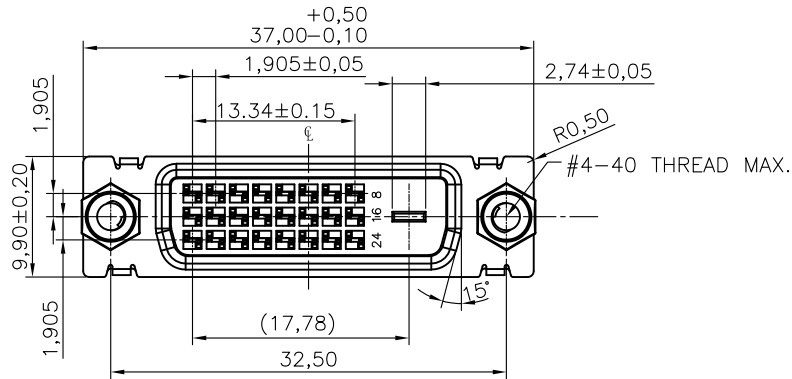
WLDVFO-24 5 X X 0010

PLATING: 

1-G/F	COLOUR:
2-AU 3U"	A:Black
5-AU 15U"	K:White
6-AU 30U"	



3D VIEW



REV.	REVISION RECORD	DATE	UNIT:mm	GENERAL TOLERANCES		SCALE: 1:1	NAME	DATE	PART.NO:	DWG.NO:	 WanLian Teconology Co., Ltd
A0	NEW RELEASE	21.01.13		LINEAR	ANGLES	APPROVED	Wang_jr	21.01.13	WLDVFO-245XX0010	ENDE05	
			0.0±0.35	X°REF±6°	DESIGNER	Ding_bo	21.01.13	TITLE: DVI 24+0 FEMALE 180° SPLINT SMT WITH K PIN		REV: A0	
			0.00±0.25	X'±3'	DRAWN	Ou_jian	21.01.13			SHEET: 1/1	