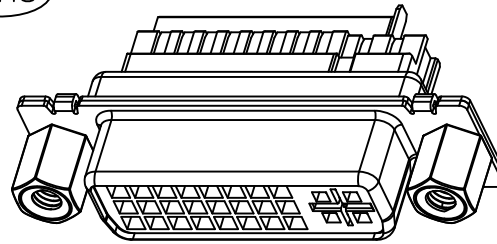
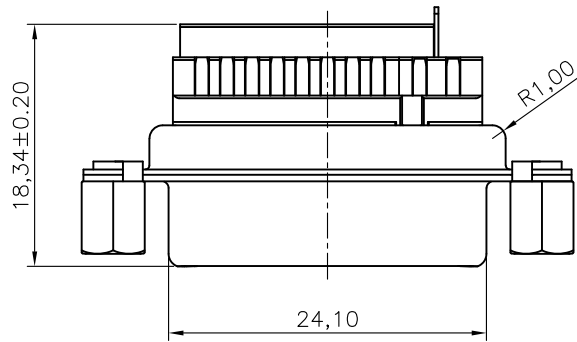


The product using material and processing must conform to the "WI-PZ-001"HSF technical standard control requirements

RoHS




- 1.MATERIAL:
 INSULATOR: PBT GLASS FIBER UL94V-0
 TERMINAL: COPPER ALLOY
 TERMINAL PLATING: SELECTIVE GOLD FLASH ON CONTACT AREA. TIN 80U"MIN.ON SOLDER TAIL.
 FRONT SHELL: SPCC-SD 80U"NICHEL PLATING ON SURFACE. 60U"CU PLATING ON BASE.
 BACK SHELL: SPCC-SD 80U"TIN PLATING ON SURFACE. 60U"CU PLATING ON BASE.
 SCREW: COPPER ALLOY. NICKEL PLATING.

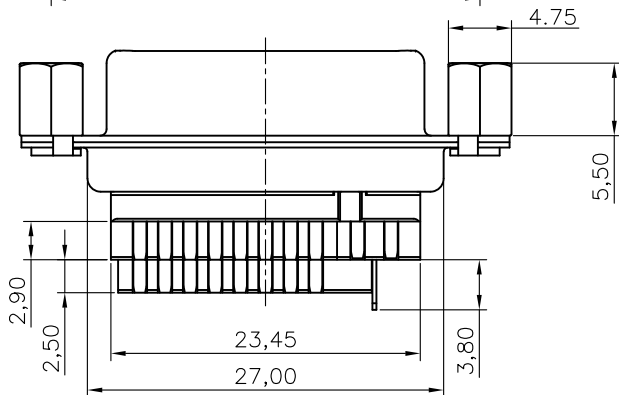
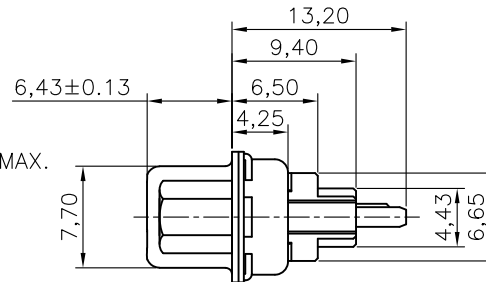
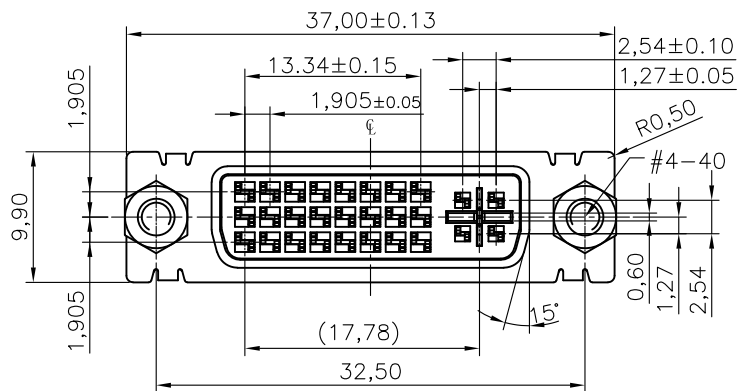
- 2.ELECTRICAL:
 INSULATOR RESISTANCE: 1000MEGOHMS MIN. 500V DC.
 DIELECTRIC WITHSTANDING VOLTAGE: 500V DC R.M.S
 VOLTAGE RATING: 40V AC (RMS) CONTINUOUS MAX.
 CURRENT RATING: 1.5A MIN. 3.0A MAX.
 CONTACT RESISTANCE: 20 MILLIOHMS MAX.

- 3.ENVIRONMENTAL
 TEMPERATURE RANGE:-25°C TO + 85°C.

- 4.MECHANICAL
 MATING FORCE:4.5Kgf MAX.
 UNMATING FORCE:1.0~4.0 Kgf
 SCREW RECEDE AND TWIST FORCE:3.0-4.0Kgf
- 5.ROHS COMPLIANT.

WLDVF0-29 4 X X 0020

PLATING:  COLOUR:
 1-G/F A:Black
 2-AU 3U" K:White
 5-AU 15U" G:BLUE
 6-AU 30U"



REV.	REVISION RECORD	DATE		GENERAL TOLERANCES		SCALE: 1:1	NAME	DATE	PART.NO:	DWG.NO:	
A0	NEW RELEASE	21.01.13		LINEAR	ANGLES	APPROVED	Wang_jr	21.01.13	WLDVF0-294XX0020	ENDE05	
			UNIT:mm	0.0±0.35	X°REF±6°	DESIGNER	Ding_bo	21.01.13	TITLE: DVI24+5 180 °FEMALE WELDING		REV: A0
			SIZE: A4	0.00±0.25	X'±3'	DRAWN	Ou_jian	21.01.13			