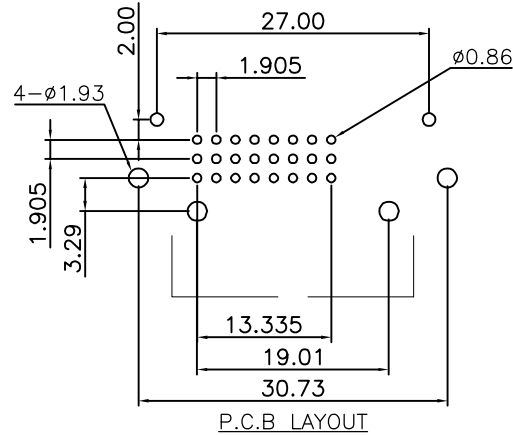
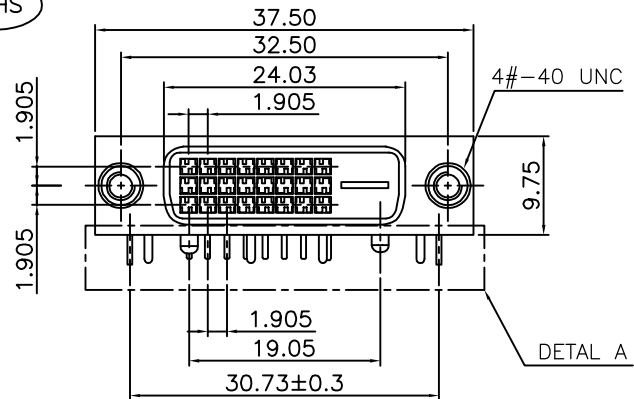


The product using material and processing must conform to the "WI-PZ-001" HSF technical standard control requirements

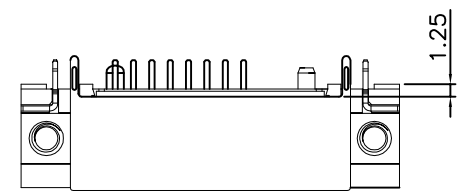
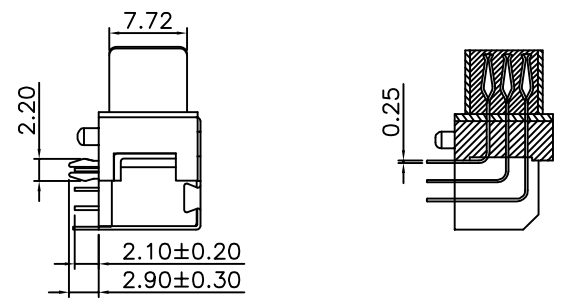
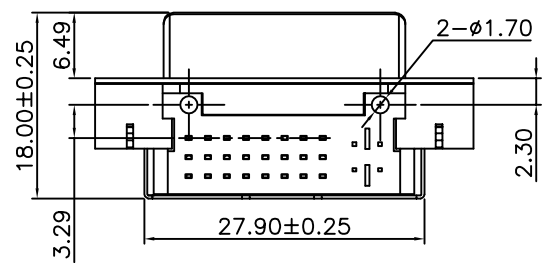
RoHS



- NOTE:
- MATERIAL SPECIFICATION:
 - HOUSING: HI-THERMAL PLASTIC UL94V-0 WHITE
 - SCREW: SPCC
 - METAL SHELL: SPCC
 - BOARD LOCK: SPCC
 - DIGITAL CONTACT: COPPER ALLOY
 - CLINCH NUT: BRASS
 - SHIELD COVER: SPCC
 - PLATING:
 - CONTACT: NICKEL UNDERPLATED, GOLD PLATING at CONTACT AREA, TIN PLATED at SOLDER TAIL.
 - SHELL: NICKEL PLATED OVERALL
 - BOARD LOCK: NICKEL UNDERPLATED OVERALL TIN PLATED
 - CLINCH NUT: NICKEL OVERALL TIN PLATED
 - METAL SHELL: NICKEL PLATED
 - ELECTRICAL PERFORMANCE:
 - CURRENT RATING: 1.5A
 - VOLTAGE RATING: 40V MAX
 - CONTACT RESISTANCE: 30mΩ Max.
 - INSULATION RESISTANCE: 1000MΩ MIN
 - DIELECTRIC WITHSTANDING VOLTAGE: 500V AC Min
 - ENVIRONMENTAL PERFORMANCE:
 - OPERATING TEMPERATURE: -20°C~+85°C.

WLDVF9-24 1 X X 0 024

PLATING: 1-G/F COLOUR: K.WHITE



REV.	REVISION RECORD	DATE		GENERAL TOLERANCES		SCALE: 1:1	NAME	DATE	PART.NO: WLDVF9-241XX0024	DWG.NO: ENDE05	
A0	NEW RELEASE	21.01.13		LINEAR	ANGLES	APPROVED	Wang_jr	21.01.13			
			UNIT:mm	0.00±0.25	X'±3'	DESIGNER	Han_Gao	21.01.13	TITLE:		
			SIZE: A4	0.000±0.10	X'X' ±2'	DRAWN	Zijun_Huang	21.01.13	DVI 24+1 90°DIP NEEDLE LENGTH 2.10MM		
										REV: A0	SHEET: 1/1