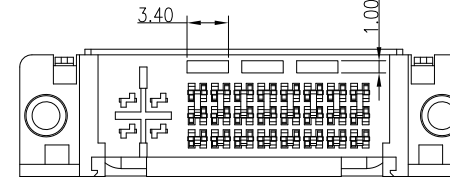
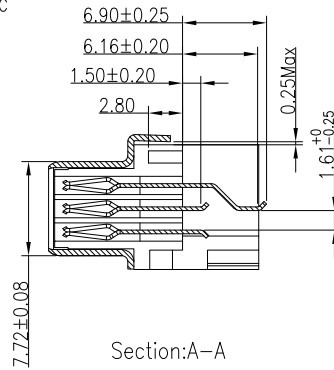
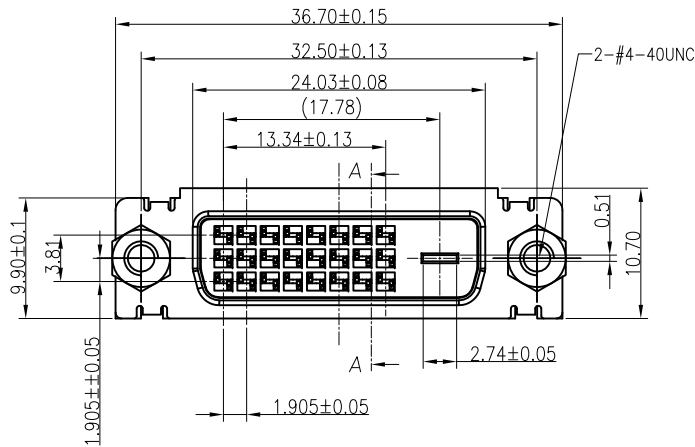
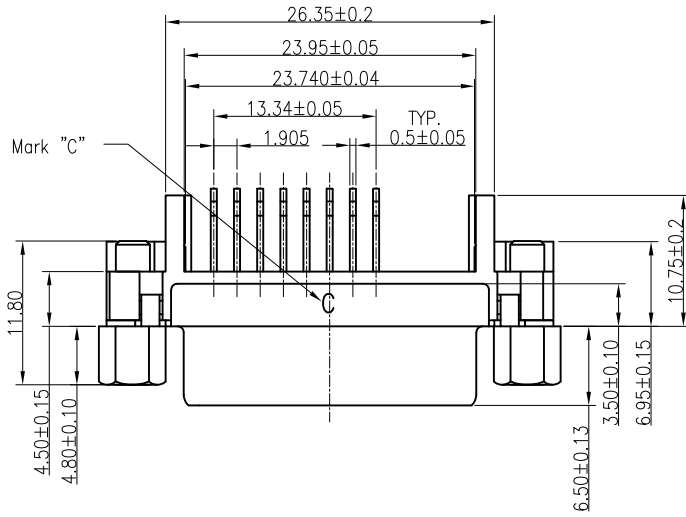
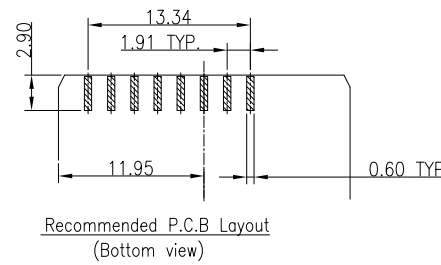
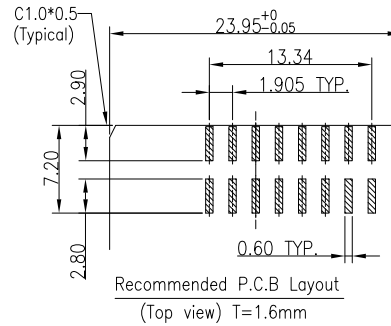


The product using material and processing must conform to the "WI-PZ-001"HSF technical standard requirements



NOTE:

1.MATERIAL:

- 1.1 INSULATOR:HIGH TEMPERATURE+30%GF, UL94V-0, COLOR:OPTIONAL
- 1.2 CONTACT:COPPER ALLOY
- 1.3 SHELL:SPCC-SD
- 1.4 SCREW:COPPER ALLOY

2. PLATING:

- 2.1 CONTACT: SELECTIVE GOLD PLATED ON CONTACT AREA
100u" Min. MATTE TIN PLATED ON SOLDER TAIL
50u" Min. NICKEL UNDER-PLATED
- 2.2 SHELL:50u" Min. NICKEL PLATED OVERALL

3. CHARACTERISTICS:

- 3.1 ELECTRICAL CHARACTERISTICS;
CONTACT RESISTANCE:20mΩ MAXIMUM
CONTACT CURRENT RATING:1.5A
DIELECTRIC WITHSTANDING VOLTAGE:500 V R.M.S.
INSULATION RESISTANCE 1000 MEGOHMS MIN
OPERATING TEMPERATURE:-20°C ~ +85°C

WLDVF9-24 5 X X 0008

PLATING: COLOUR:
1-G/F A:Black
2-AU 3U" K:White
5-AU 15U"
6-AU 30U"

REV.	REVISION RECORD	DATE		GENERAL TOLERANCES		SCALE: 1:1	NAME	DATE	PART.NO:	DWG.NO:	
A0	NEW RELEASE	21.01.13		LINEAR	ANGLES	APPROVED	Wang_jr	21.01.13	WLDVF9-245XX0008	ENDE05	
			UNIT:mm	0.00±0.25	X°±3°	DESIGNER	Ding_bo	21.01.13	TITLE:		WanLian Teconology Co., Ltd
			SIZE: A4	0.000±0.10	X°X' ±2°	DRAWN	Ou_jian	21.01.13	DVI 24+0 Female 90° Splint SMT	REV: A0	