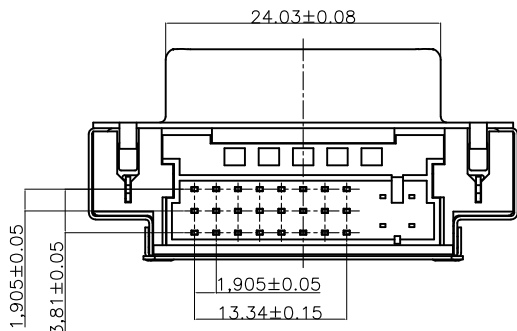
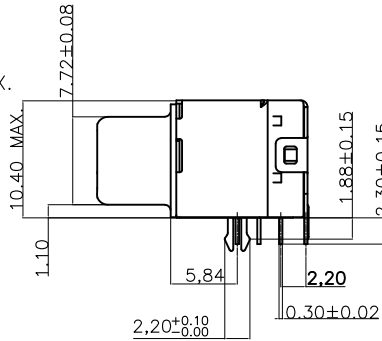
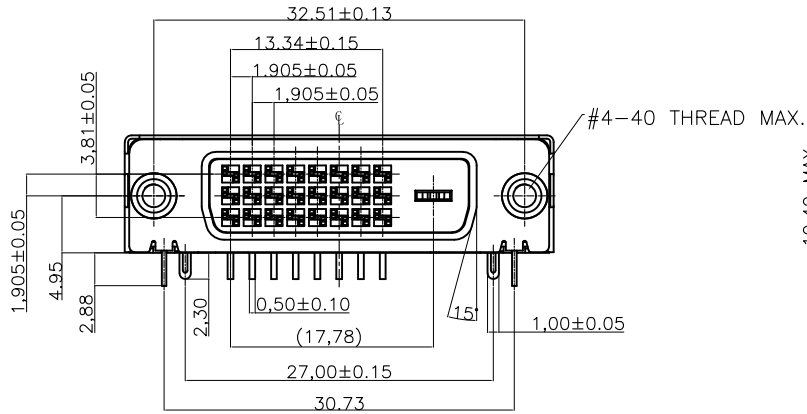
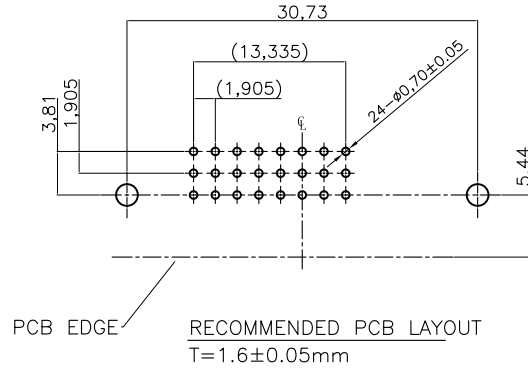
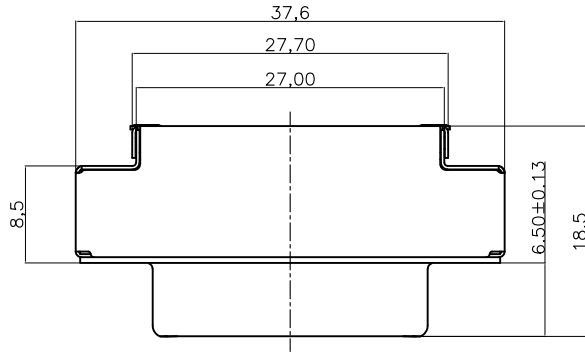


The product using material and processing must conform to the "WI-PZ-001"HSF technical standard control requirements

RoHS



NOTE:

- 1.MATERIAL:
 INSULATOR:PA66 +30%GLASS FIRBE UL94V-0
 TERMINAL:COPPER ALLOY
 TERMINAL PLATING:SELECTIVE GOLD FLASH PLATING ON CONTACT AREA.
 TIN 100U"MIN.ON SOLDER TAIL.
 SEHLL:SPCC-SD NICKEL PLATING.
 GROUNDING CLIP:BRASS TIN PLATING.
 NUT:COPPER ALLOY. NICKEL PLATING.

2.ELECTRICAL:

- INSULATOR RESISTANCE:1000MEGOHMS MIN.
 DIELECTRIC WITHSTANDING VOLTAGE:500V DC RMS.
 VOLTAGE TATING:40V AC RMS.CONTINUOUS MAX.
 CURRENT RATING:1.5A MIN. 3.0A MAX.
 CONTGACT RESISTANCE: 20 MILLLOHMS MAX.

3.ENVIRONMENTAL

- TEMPERATURE RANGE:-20°C TO +85°C.

4.ROHS COMPLIANT.

WLDVF9-25 1 X X 0017

PLATING: } COLOUR:
 1-G/F A:Black
 2-AU 3U" K:White
 5-AU 15U"
 6-AU 30U"

REV.	REVISION RECORD	DATE		GENERAL TOLERANCES		SCALE: 1:1	NAME	DATE	PART.NO: WLDVF9-251XX0017	DWG.NO: ENDE05	
A0	NEW RELEASE	21.01.13		LINEAR	ANGLES	APPROVED	Wang_jr	21.01.13	TITLE: DVI 24+1 FEMALE 90°DIP FULLY ENCLOSED SHIELD	REV: A0	
			UNIT:mm	0.00±0.25	X°±3°	DESIGNER	Ding_bo	21.01.13			
			SIZE: A4	0.000±0.10	X°X' ±2°	DRAWN	Ou_jian	21.01.13			