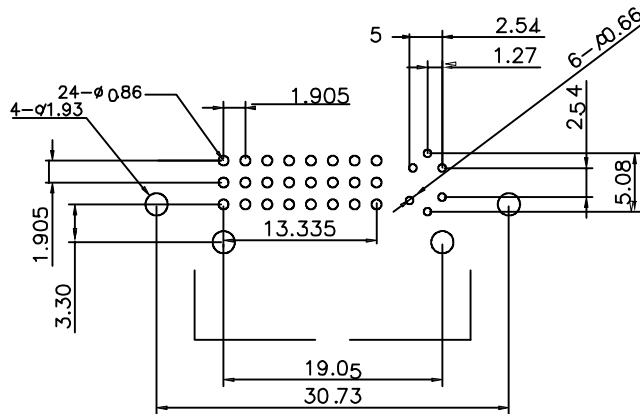
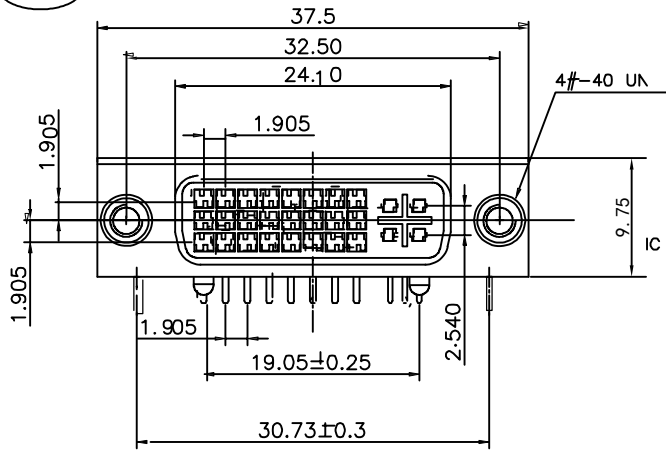


The product using material and processing must conform to the "WI-PZ-001"HSF technical standard control requirements

RoHS



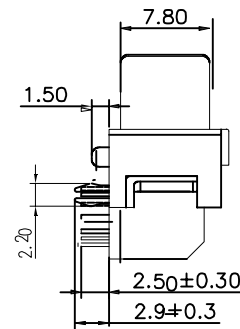
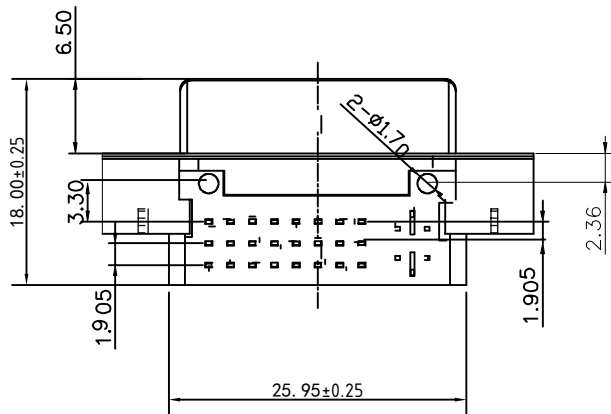
P. C. B LAYOUT

NOTE:

- 1.MATERIAL SPECIFICATION:
 - 1-1.HOUSING: PBT UL94V-0
 - 1-2.REAR COVER: PA66 UL94V-0
 - 1-3.CONTACTS: BRASS.
 - 1-4.SHELL: SPCC. NICKEL PLATED
 - 1-5.FISH SPEAR: SPCC.
 - 1-6.RIVET: COPPER.
- 2.PLATING:
 - 2-1.CONTACT: G/F AU,50u" Ni, 80u" Sn
 - 2-2.SHELL: NICKEL PLATED
 - 2-3.FISH SPEAR: NICKEL PLATED TIN
 - 2-4.RIVET: NICKEL PLATED
- 4.ELECTRICAL PERFORMANCE:
 - 4-1.CURRENT RATING: 1.5A
 - 4-2.VOLTAGE RATING: 40V MAX
 - 4-3.CONTACT RESISTANCE: 30mΩ Max.
 - 4-4.INSULATION RESISTANCE: 1000MΩ MIN
 - 4-5.DIELECTRIC WITHSTANDING VOLTAGE: 500V AC Min
- 5.ENVIRONMENTAL PERFORMANCE:
 - OPERATING TEMPERATURE: -20°C~+85°C.
- 6.P/N ORDER:

WLDVF9-29 1 X X 0 027

PLATING: 1-G/F COLOUR: K-WHITE



REV.	REVISION RECORD	DATE	UNIT:mm	GENERAL TOLERANCES		SCALE:	NAME	DATE	PART.NO:	DWG.NO:	TITLE:	REV: A0	SHEET: 1/1
A0	NEW RELEASE	21.01.13		LINEAR	ANGLES	1:1	APPROVED	DESIGNER					
			0.00±0.25	X'±3'					WLDVF9-291XX0027	ENDE05	WanLian Teconology Co., Ltd		
			0.00±0.10	X'X' ±2'							DVI 24+5 FEMALE riveting 90°DIP		

