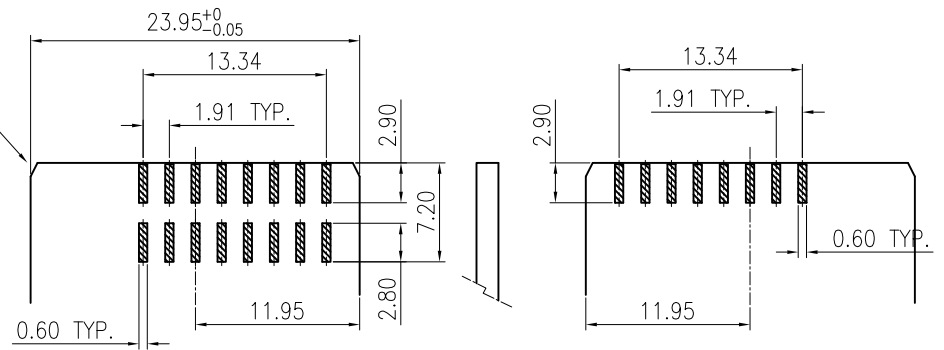
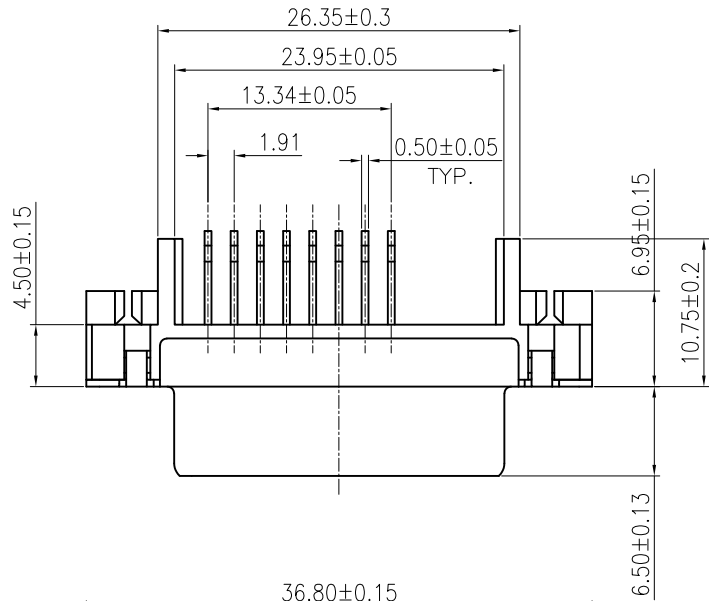


The product using material and processing must conform to the "WI-PZ-001"HSF technical standard control requirements

RoHS



Recommended P.C.B Layout (Top view) T=1.6mm

Recommended P.C.B Layout (Bottom view)

NOTE:

- MATERIAL:  
INSULATOR:PA46  
TERMINAL:COPPER ALLOY  
TERMINAL PLATING:SELECTIVE GOLG PLATING ON CONTACT AREA.  
TIN 100U"MIN.ON SOLDER TAIL.  
SEHLL:SPCC-SD NICKEL PLATING.

2.ELECTRICAL:

- INSULATOR RESISTANCE:1000MEGOHMS MIN.
- DIELECTRIC WITHSTANDING VOLTAGE:500V AC RMS.
- VOLTAGE RATING:40V AC RMS.CONTINUOUS MAX.
- CURRENT RATING:1.5A MIN. 3.0A MAX.
- CONTGACT RESISTANCE:20 MILLLOHMS MAX.

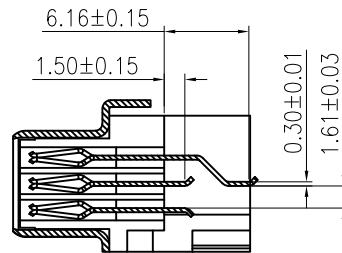
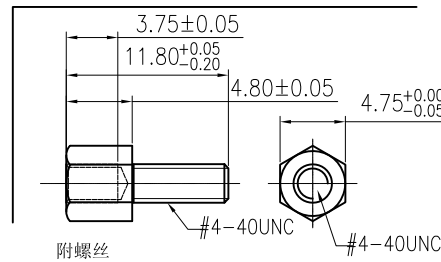
3.ENVIRONMENTAL

- TEMPERATURE RANGE:-20°C TO +85°C.

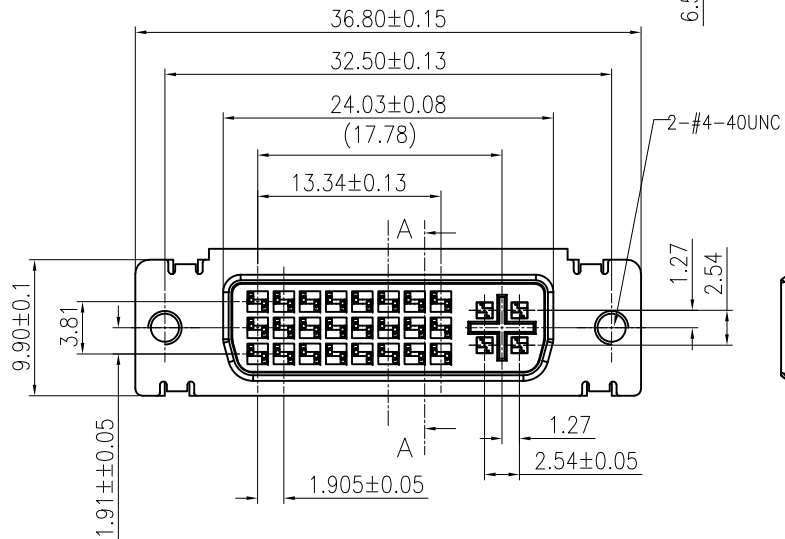
ROHS COMPLIANT.

WLDVF9-29 5 X X 0021

- PLATING: COLOUR:  
1-G/F A:Black  
2-AU 3U" K:White  
5-AU 15U"  
6-AU 30U"



Section:A-A



REV.	REVISION RECORD	DATE	UNIT:mm	GENERAL TOLERANCES		SCALE: 1:1	NAME	DATE	PART.NO:	DWG.NO:	 WanLian Teconology Co., Ltd
A0	NEW RELEASE	21.01.13		LINEAR	ANGLES	APPROVED	Wang_jr	21.01.13	WLDVF9-295XX0021	ENDE05	
			SIZE: A4	0.00±0.25	X°REF±6°	DESIGNER	Ding_bo	21.01.13	TITLE: DVI 24+5 FEMALE SMT		REV: A0
			0.000±0.10	X°X' ±2°	DRAWN	Ou_jian	21.01.13			SHEET: 1/1	