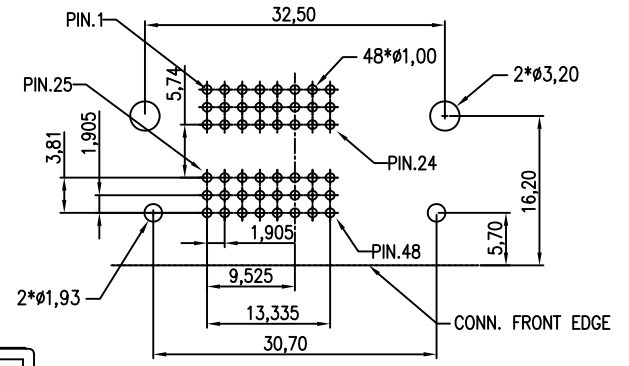
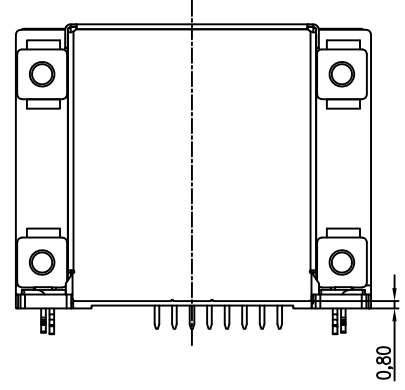
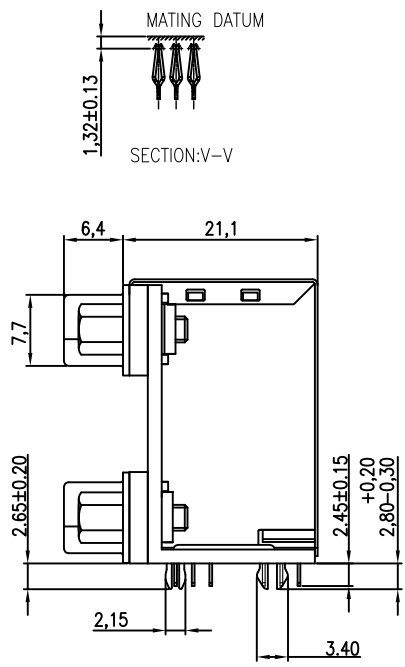
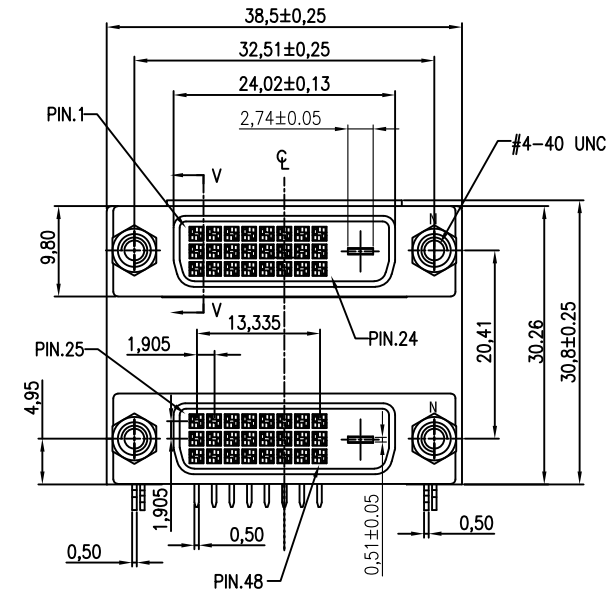


The product using material and processing must conform to the "WI-PZ-001"HSF technical standard control requirements

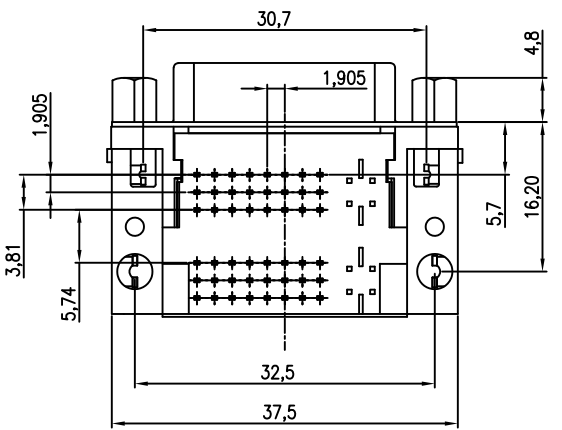
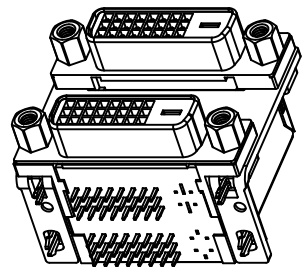
RoHS



RECOMMENDED P.C.B LAYOUT (TOP VIEW)
THICKNESS=1.60±0.05 THLERENCE=±0.05

- NOTE:
- MATERIAL:
 - INSULATOR:LCP E130i+30%GF, UL94V-0, COLOR:OPTIONAL
 - COVER:LCP E130i+30%GF, UL94V-0, COLOR:OPTIONAL
 - CONTACT: BRASS C2680R/H
 - SHELL: SPCC
 - BRACKET: SPCC
 - BOARD LOCK: BRASS C2680R/H
 - SHIELD: SUS 301
 - RIVET: BRASS H65
 - SCREW: STEEL 08A1
 - PLATING:
 - CONTACT: SELECTIVE GOLD PLATED ON CONTACT AREA
100u" Min. TIN PLATED ON SOLDER TAIL
50u" Min. NICKEL UNDER-PLATED
 - SHELL: 50u" Min. NICKEL PLATED OVERALL
 - BRACKET: 80u" Min NICKEL PLATED OVERALL.
 - SHIELD & RIVET: 80u" NI PLATED OVERALL,
 - BOARD LOCK: TIN PLATED OVERALL
 - CHARACTERISTICS:
 - ELECTRICAL CHARACTERISTICS:
CONTACT RESISTANCE:30mΩ MAXIMUM
CONTACT CURRENT RATING: 1.5A
DIELECTRIC WITHSTANDING VOLTAGE:500 V DC
INSULATION RESISTANCE 1000 MEGOHMS MIN
OPERATING TEMPERATURE:-25°C ~ +85°C
 - MECHANICAL:
MATING FORCE: 4.5Kg.Max.
UNMATING FORCE: 1.0~4.0Kg.Min.

WLDVF9-48 1 X X 0011
PLATING: J
1-G/F COLOUR:
2-AU 3U" A:Black
5-AU 15U" K:White
6-AU 30U"



REV.	REVISION RECORD	DATE		GENERAL TOLERANCES		SCALE: 1:1	NAME	DATE	PART.NO:	DWG.NO:	
A0	NEW RELEASE	21.01.13		LINEAR	ANGLES	APPROVED	Wang_jr	21.01.13	WLDVF9-481XX0011	ENDE05	
				0.0±0.35	X°REF±6°	DESIGNER	Ding_bo	21.01.13	TITLE: DOUBLE DVI FEMALE 24P+24P	REV: A0	SHEET: 1/1
				UNIT:mm	0.00±0.25	X°±3°	DRAWN	Ou_jian			