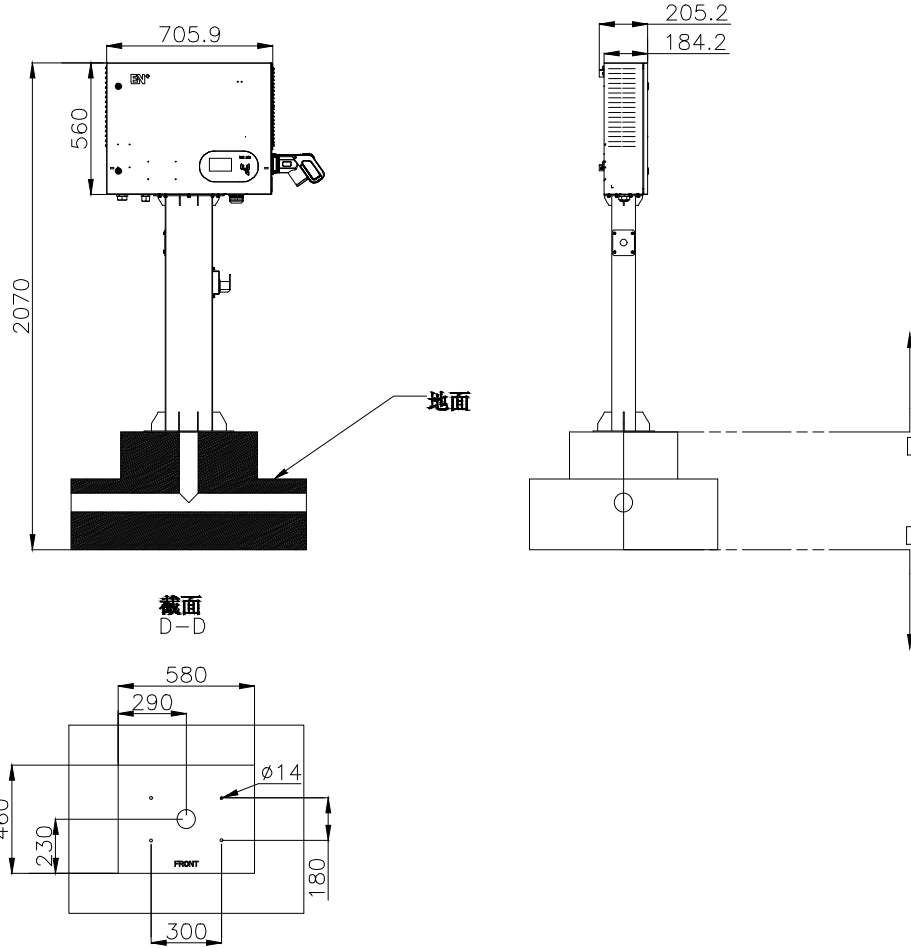


The product using material and processing must conform to the "WI-PZ-001"HSF technical standard control requirements

RoHS



NOTE:

1.ELECTRICAL:

- 1-1.RATED POWER:30KW
- 1-2.CURRENT OUTPUT:100A MAX
- 1-3.OUTPUT VOLTAGE:150-1000V
- 1-4.INPUT VOLTAGE:AC 380V±20%
- 1-5.COMMUNICATION INTERFACE:ETHERNET, 4G, CAN AND RS485
- 1-6.INCOMING FREQUENCY:45~65Hz
- 1-7.CURRENT LIMITING PROTECTION VALUE:≥110%
- 1-8.VOLTAGE REGULATION ACCURACY:≤±0.5%
- 1-9.PRECISION OF STEADY CURRENT:≤1%
- 1-10.RIPPLE FACTOR:≤±0.5%
- 1-11.PEAK EFFICIENCY:0.945
- 1-12.POWER FACTOR:≥0.99(50% load above)
- 1-13.HARMONIC CONTENT:≤5%(50% load above)

2.PHYSICAL:

- 2-1.SPECIFICATION OF THE MACHINE:700× 560× 200mm(W× D× H)
- 2-2.WAY TO INSTALL:WALL-MOUNTED
- 2-3.LINEAR WAY:THE CABLES GO IN FROM BELOW, OUT FROM ABOVE
- 2-4.THE LENGTH OF THE CABLE:5m
- 2-5.THIS PRODUCT HAS LED INDICATING LAMP AND CREDIT CARD FUNCTION,WITHOUT KEY SETTING FUNCTION
- 2-6.APPLIED ENVIRONMENT:OUTDOOR/INDOOR
- 2-7.MEASURING ACCURACY: LEVEL 1
- 2-8.OPERATING TEMPERATURE:-25°C to +50°C
- 2-9.OPERATING HUMIDITY:5% TO 95% WITHOUT CONDENSATION
- 2-10.WORKING ALTITUDE:<2000M.
- 2-11.PROTECTION DEGREE:IP54
- 2-12.COOLING MODE:FORCED AIR COOLING
- 2-13.MTBF:100000 HOURS
- 2-14.NOISE CONTROL:≤60dB
- 2-15.UNIT WEIGHT:37.5kg
- 2-16.SUPPORT VERSION: NATIONAL STANDARD

技术要求

步骤

- 1.按要求建好基座，推荐基座高出路面200MM，前后左右各侧比机柜尺寸大100MM，预留好穿线孔，
- 2.根据充电桩底座安装图，在基座上开好预埋膨胀螺栓孔，推荐14深度90MM，厂家提供的膨胀螺栓规格是M12X100

REV.	REVISION RECORD	DATE	GENERAL TOLERANCES		SCALE:	NAME	DATE	PART.NO:	DWG.NO:	 WanLian Teconology Co., Ltd
A0	NEW RELEASE	22.01.04		LINEAR	1:1	Ximei_Yang	22.01.04	WLH3-DC030K-G2C22-100	ENDE05	
				ANGLES	APPROVED					
			UNIT:mm	0.0±0.35	X'REF±6°	DESIGNER	Han_Gao	TITLE:	REV: A0	
			SIZE: A4	0.00±0.25	X'±3'	DRAWN	Zhonghao_Che			30KW壁挂式直流充电桩
				0.00±0.10	X'X' ±2'					