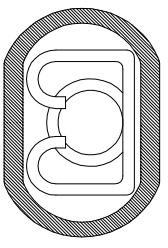
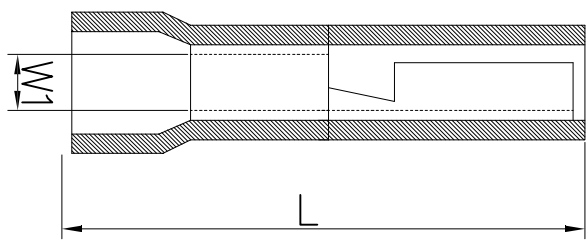
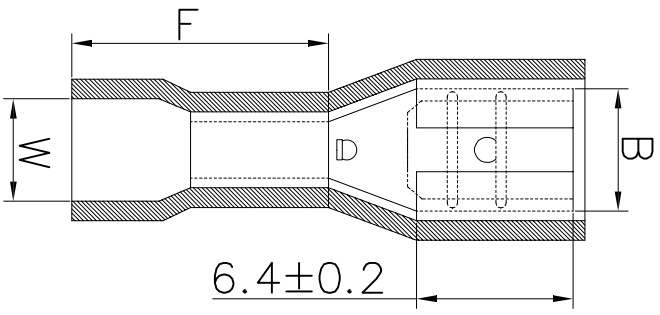


The product using material and processing must conform to the "WL-PZ-001"HSF technical standard control requirements



- 备注:
1. 接压线径: 1.5-2.5mm² (16-14AWG)
 2. 端子材质: 黄铜 厚度: 0.4±0.01
 3. 绝缘材质: 尼龙 绝缘护套温度: 105℃ 绝缘护套颜色: 蓝色
 4. 表面处理: 镀锡 镀层厚度: 2.5um-5um 镀层温度: 120° /2小时
 5. 接线类型: 绞合线
 6. 最大电流: 15A

Item No.料号	连接规格	Dimension(mm/inch) 主要尺寸				
	Connecting spec	W±0.2	W±0.3	F±0.3	L±0.3	B±0.2
WLLD2F2-AB203GA01	0.5*4.75	2.3	4.2	10.5	21.0	5.0
WLLD2F2-AB203GA02	0.8*4.75	2.3	4.2	10.5	21.0	5.0

GENERAL TOLERANCES			
LINEAR	ANGLES	SCALE: 1:1	
0.0±0.35	X°REF±6°	APPROVED	NAME
UNIT:mm	X°±3°	DESIGNER	DATE
SIZE: A4	X°X' ±2°	DRAWN	

REV.	REVISION RECORD	DATE	SCALE:	NAME	DATE
AO	NEW RELEASE	21.11.17	1:1	Wang_jr	21.11.17

PART:NO:	DWG:NO:
WLLD2X2-AB203XXXX	ENDE05

TITLE: 尼龙全绝缘护套母插端子

REV: AO SHEET: 1/1