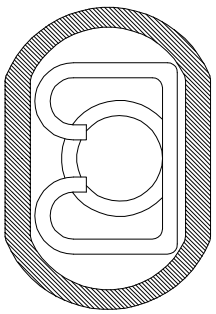
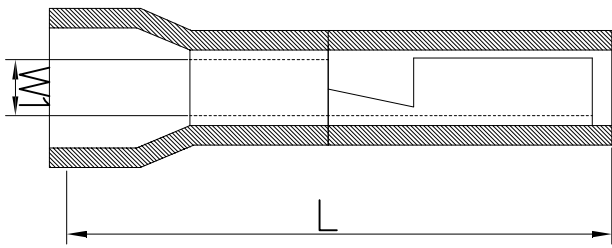
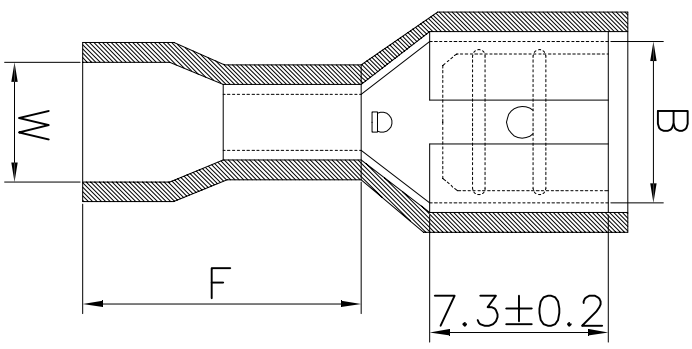


The product using material and processing must conform to the "WL-PZ-001"HSF technical standard control requirements

RoHS



- 备注:
1. 接压线径: 1.5-2.5mm<sup>2</sup> (16-14AWG)
  2. 端子材质: 黄铜 厚度: 0.4±0.01
  3. 绝缘材质: 尼龙 绝缘护套温度: 105℃ 绝缘护套颜色: 蓝色
  4. 表面处理: 镀锡 镀层厚度: 2.5um-5um 镀层温度: 120° /2小时
  5. 接线类型: 绞合线
  6. 最大电流: 15A

Item No. 料号	Dimension (mm/Inch) 主要尺寸					
	连接规格 Connecting spec	W1±0.2	W±0.3	F±0.3	L±0.3	B±0.2
WLLF2F2-AB203GA01	0.5*4.75	2.3	4.2	10.5	21.0	5.0

REV.	REVISION RECORD	DATE	GENERAL TOLERANCES		SCALE:	NAME	DATE	PART NO:	DWG. NO:
AO	NEW RELEASE	21.11.17	LINEAR	ANGLES	1:1	Wang_jr	21.11.17	WLLF2F2-AB203GA01	ENDE05
			0.0±0.35	X°REF±6°	APPROVED	Han_gao	21.11.17	TITLE:	 万连科技 Wanlian Technology Co., Ltd
			UNIT:mm	X'±3°	DESIGNER	Zijun_Huang	21.11.17	尼龙全绝缘护套母插端子	
			SIZE: A4	X'X' ±2°	DRAWN			REV: AO	SHEET: 1/1

1 2 3 4 5 6 7 8