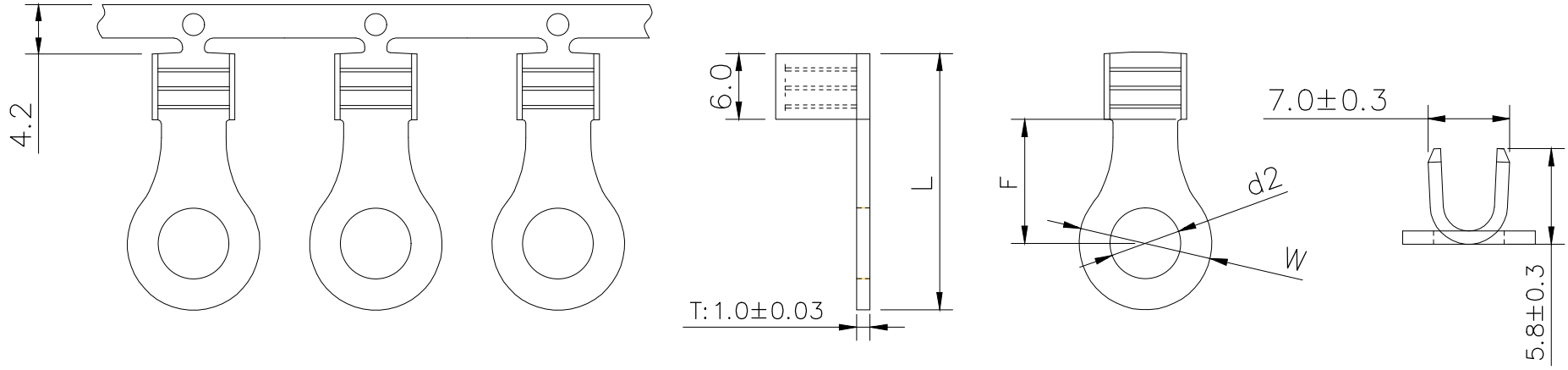


The product using material and processing must conform to the "WI-PZ-001"HSF technical standard control requirements

RoHS



备注：
 1. 适用线型AWG14-12#
 2. 端子材质紫铜、镀锡
 3. 包装方式：卷装

Item NO. 料号	螺栓规格		mm/inch 主要尺寸		
	Stud Size	d2±0.2	W±0.3	F±0.3	L±0.5
WLLR20-043AC030A01	#8	4.3(.169)	8.0(.315)	7.7(.303)	18.0(.709)
WLLR20-053AC030A01	#10	5.3(.209)	8.0(.315)	7.7(.303)	18.0(.709)
WLLR20-053AC030A02	#10	5.3(.209)	12.0(.472)	8.6(.338)	21.4(.842)
WLLR20-064AC030A01	1/4	6.4(.252)	12.0(.472)	8.6(.338)	21.4(.842)

REV.	REVISION RECORD	DATE		GENERAL TOLERANCES		SCALE: 1:1	NAME	DATE	PART.NO: WLLR20-XXXAC030AXX	DWG.NO: ENDE05	
A0	NEW RELEASE	22.01.04		LINEAR	ANGLES	APPROVED	Ximei_Yang	22.01.04			
			UNIT:mm	0.0±0.25	X'±3'	DESIGNER	Han_Gao	22.01.04	TITLE: 无绝缘0形连续端子 适用线型AWG14-12#	REV: A0	SHEET: 1/1
			SIZE: A4	0.000±0.10	X'X' ±2'	DRAWN	Zhonghao_Che	22.01.04			