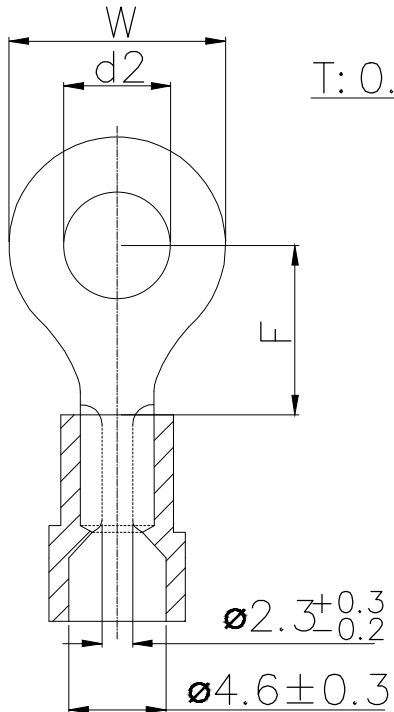
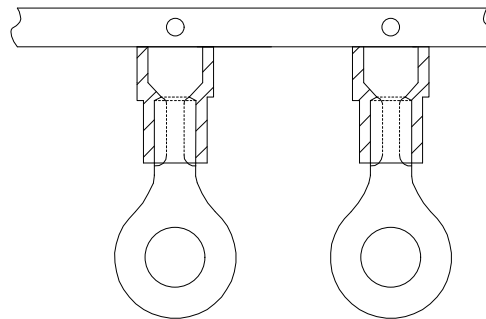
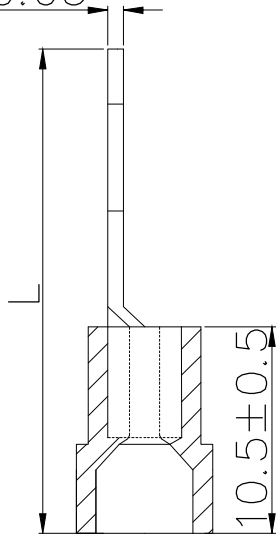


The product using material and processing must conform to the "WI-PZ-001"HSF technical standard control requirements

RoHS



T: 0.8±0.03



金属连打型

备注:

1. 适用线型AWG16-14#
2. 端子材质紫铜、镀锡
3. 绝缘材质尼龙、蓝色
4. 包装方式: 卷装

Item NO. 料号	螺栓规格		mm/inch 主要尺寸		
	Stud Size	d2±0.2	W±0.3	F±0.3	L±0.5
WLLR24-032AB03GA01	#4	3.2(.125)	6.6(.260)	4.3(.169)	17.3(0.681)
WLLR24-037AB03GA01	#6	3.7(.146)	6.6(.260)	4.3(.169)	17.3(0.681)
WLLR24-037AB03GA02	#6	3.7(.146)	6.6(.260)	6.5(.256)	19.5(0.768)
WLLR24-037AB03GA03	#6	3.7(.146)	8.5(.335)	7.7(.303)	21.8(0.858)
WLLR24-043AB03GA01	#8	4.3(.169)	6.6(.260)	6.5(.256)	19.5(0.768)
WLLR24-043AB03GA02	#8	4.3(.169)	8.5(.335)	7.7(.303)	21.8(0.858)
WLLR24-053AB03GA01	#10	5.3(.209)	8.5(.335)	7.7(.303)	21.8(0.858)
WLLR24-053AB03GA02	#10	5.3(.209)	9.5(.374)	7.2(.283)	21.8(0.858)
WLLR24-064AB03GA01	1/4	6.4(.252)	12.0(.472)	11.0(.433)	26.8(1.055)
WLLR24-084AB03GA01	5/16	8.4(.331)	12.0(.472)	11.0(.433)	26.8(1.055)
WLLR24-105AB03GA01	3/8	10.5(.413)	14.6(.575)	14.0(.551)	31.5(1.240)

REV.	REVISION RECORD	DATE	GENERAL TOLERANCES		SCALE:	NAME	DATE	PART.NO:	DWG.NO:	 WanLian Teconology Co., Ltd	
A0	NEW RELEASE	22.01.04	LINEAR	ANGLES	1:1	Ximei_Yang	22.01.04	WLLR24-XXXAB03XAXX	ENDE05		
			0.0±0.35	X'REF±6°	APPROVED	Han_Gao	22.01.04	TITLE:			
			UNIT:mm	0.00±0.25	X'±3'	DRAWN	Zhonghao_Che	22.01.04	尼龙绝缘0形连续端子 适用线型AWG16-14# 蓝色绝缘		REV: A0
			SIZE: A4	0.000±0.10	X'X' ±2'						