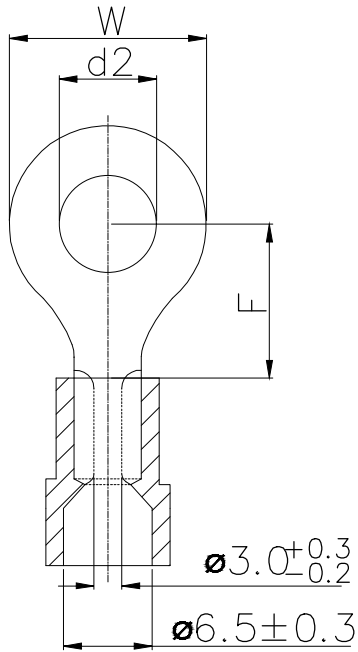
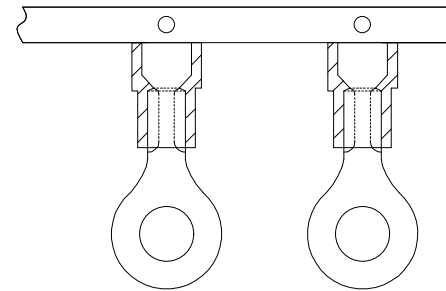
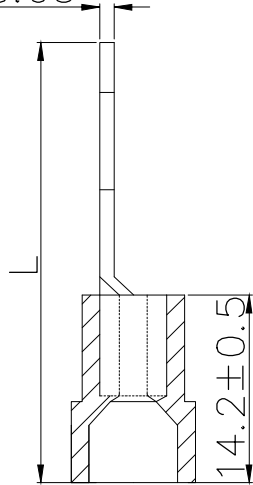


The product using material and processing must conform to the "WI-PZ-001"HSF technical standard control requirements

RoHS



T: 1.0±0.03



金属连打型

- 备注:
1. 适用线型AWG14-12#
 2. 端子材质紫铜、镀锡
 3. 绝缘材质尼龙、黑色
 4. 包装方式: 卷装

Item NO.	料号	螺栓规格		mm/inch 主要尺寸			
		Stud Size	d2±0.2	W±0.3	F±0.3	L±0.5	
WLLR24-043AC03AA01		#8	4.3(.169)	8.0(.315)	7.7(.303)	26.4(1.039)	
WLLR24-053AC03AA01		#10	5.3(.209)	8.0(.315)	7.7(.303)	26.4(1.039)	
WLLR24-053AC03AA02		#10	5.3(.209)	12.0(.472)	8.6(.338)	27.9(1.098)	
WLLR24-064AC03AA01		1/4	6.4(.252)	12.0(.472)	8.6(.338)	27.9(1.098)	
WLLR24-084AC03AA01		5/16	8.4(.331)	15.0(.590)	14.0(.551)	34.0(1.338)	
WLLR24-105AC03AA01		3/8	10.5(.413)	15.0(.590)	14.0(.551)	34.0(1.338)	

REV.	REVISION RECORD	DATE	GENERAL TOLERANCES		SCALE:	NAME	DATE	PART.NO:	DWG.NO:	 WanLian Teconology Co., Ltd
A0	NEW RELEASE	22.01.04	LINEAR	ANGLES	1:1	Ximei_Yang	22.01.04	WLLR24-XXXAC03XAXX	ENDE05	
			0.0±0.35	X'REF±6°	APPROVED	Han_Gao	22.01.04	TITLE:		
			UNIT:mm	X'±3'	DESIGNER	Zhonghao_Che	22.01.04	尼龙绝缘0形连续端子 适用线型AWG14-12# 黑色绝缘	REV: A0	
			SIZE: A4	X'X' ±2'	DRAWN					