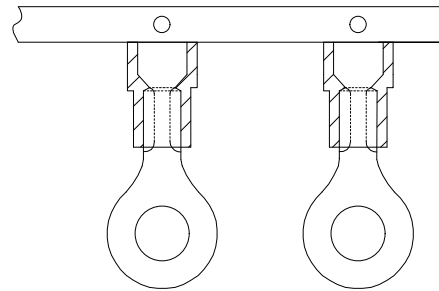
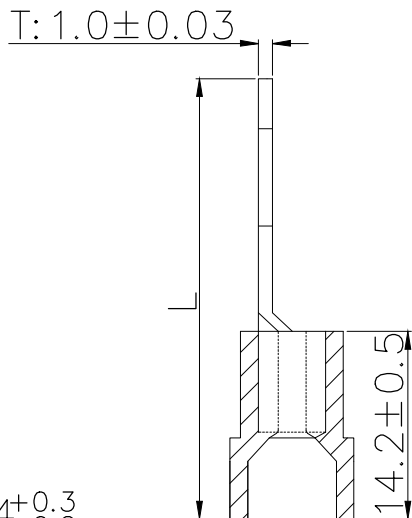
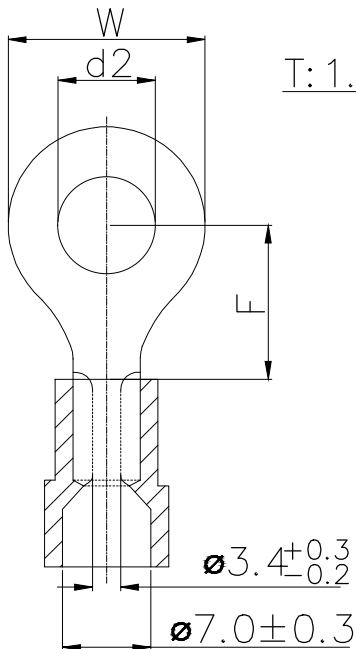


The product using material and processing must conform to the "WI-PZ-001"HSF technical standard control requirements

RoHS



金属连打型

- 备注:
1. 适用线型AWG12-10#
  2. 端子材质紫铜、镀锡
  3. 绝缘材质尼龙、黄色
  4. 包装方式: 卷装

Item NO. 料号	螺栓规格		mm/inch主要尺寸			
	Stud Size	d2±0.2	W±0.3	F±0.3	L±0.5	
WLLR24-032AD03EA01	#4	3.2(.126)	7.2(.283)	5.9(.232)	22.7(0.894)	
WLLR24-037AD03EA01	#6	3.7(.146)	7.2(.283)	5.9(.232)	22.7(0.894)	
WLLR24-043AD03EA01	#8	4.3(.169)	7.2(.283)	5.9(.232)	22.7(0.894)	
WLLR24-043AD03EA02	#8	4.3(.169)	9.5(.374)	8.3(.326)	26.3(1.035)	
WLLR24-053AD03EA01	#10	5.5(.216)	9.5(.374)	8.3(.326)	26.3(1.035)	
WLLR24-064AD03EA01	1/4	6.4(.252)	12.0(.472)	11.0(.433)	30.0(1.181)	
WLLR24-084AD03EA01	5/16	8.4(.331)	15.0(.590)	13.7(.539)	34.5(1.358)	
WLLR24-105AD03EA01	3/8	10.5(.413)	15.0(.590)	13.7(.539)	34.5(1.358)	

REV.	REVISION RECORD	DATE	GENERAL TOLERANCES		SCALE:	NAME	DATE	PART.NO:	DWG.NO:	 万连科技 WanLian Teconology Co., Ltd
A0	NEW RELEASE	22.01.04	 LINEAR 0.0±0.35	ANGLES X°REF±6°	1:1	Ximei_Yang	22.01.04	WLLR24-XXXAD03XAXX	ENDE05	
					UNIT:mm 0.00±0.25	X'±3°	APPROVED	Han_Gao	22.01.04	
			SIZE: A4 0.000±0.10	X'X' ±2°	DRAWN	Zhonghao_Che	22.01.04	尼龙绝缘0形连续端子 适用线型AWG12-10# 黄色绝缘	REV: A0	