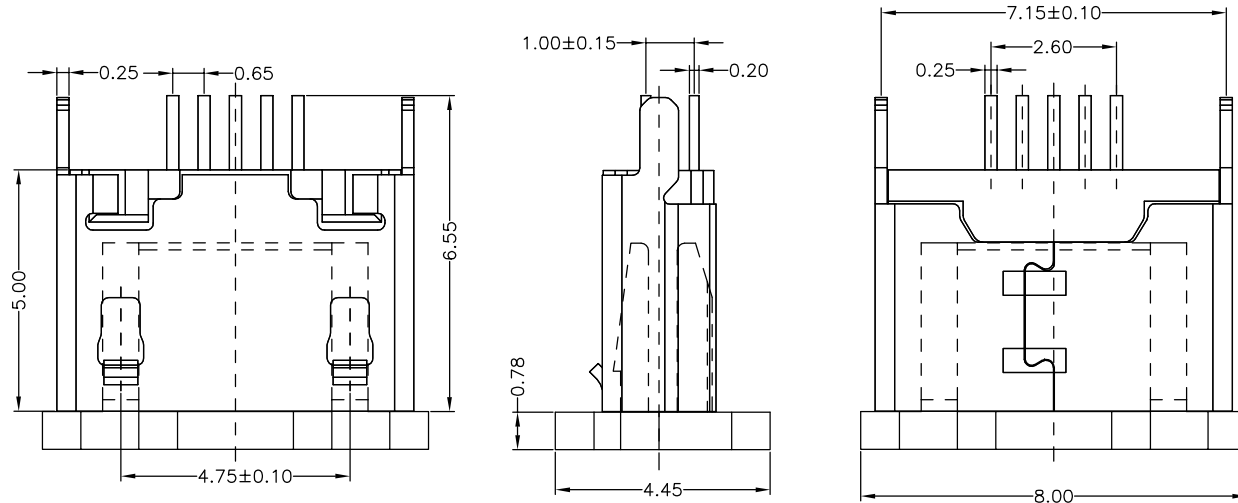


The product using material and processing must conform to the "WL-PZ-001"HSF technical standard control requirements

RoHS



NOTE:
 1.MATERIAL SPECIFICATION:
 1-1.HOUSING:LCP BLACK UL94V-0
 1-2.CONTACTS:COPPER ALLOY(C5191-H).
 1-3.SHELL: STAINLESS STEEL.
 2.PLATING SPECIFICATION:
 2-1.CONTACTS:
 Ni 50u" MIN. UNDER PLATED OVER ALL.
 Au PLATED ON THE FUNCTIONAL AREA OF CONTACT.
 2-2. SHELL:
 Ni /SN 30u" MIN. UNDER PLATED OVER ALL.
 3.MECHANICAL PERFORMANCE:
 3-1.INSERTION FORCE: 3.57kgf MAX
 3-2.REMOVAL FORCE: 0.8kgf MIN
 3-3.DURABILITY: 10000 CYCLES.
 4.ELECTRICAL PERFORMANCE:
 4-1.CURRENT RATING:1.5A
 4-2.VOLTAGE RATING:5V MAX
 4-3.CONTACT RESISTANCE: 30m Ohm MAX.
 4-4.INSULATION RESISTANCE: 100MΩ MIN
 4-5.DIELECTRIC WITHSTANDING VOLTAGE: 100V AC MIN
 5.ENVIRONMENTAL PERFORMANCE:
 OPERATING TEMPERATURE: -30°C~+85°C.
 PACKAGE SPEC: REEL

PART NO.:

WLM2F0-051 X X X 019

PLATING:

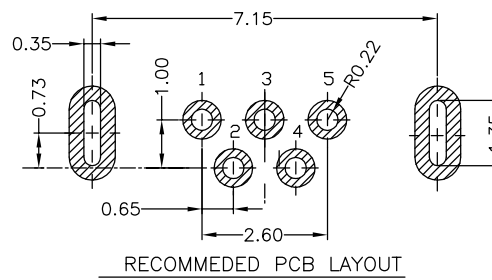
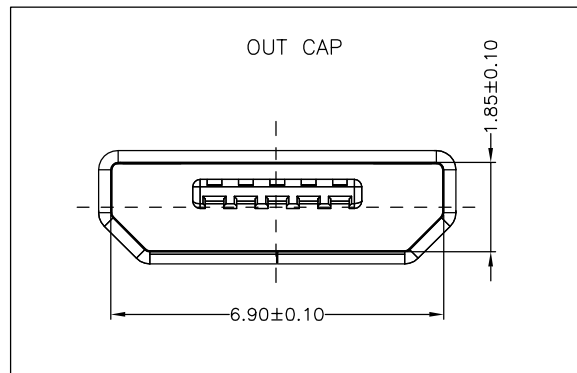
1-G/F
 2-Au 3u"
 5-Au 15u"
 6-Au 30u"

SHELL:

7-SN
 9-NI

COLOUR:

A-BLACK



REV.	REVISION RECORD	DATE	GENERAL TOLERANCES		SCALE:	NAME	DATE	PART.NO:	DWG.NO:
A0	NEW RELEASE	21.01.13	LINEAR	ANGLES	1:1	Wang_jr	21.01.13	WLM2F0-051XXX019	ENDE05
			0.0±0.35	X°REF±6°	APPROVED	Ding_bo	21.01.13	TITLE: MICRO 5P/F B TYPE 180° DIP	REV: A0 SHEET: 1/1
			0.00±0.25	X°±3°	DESIGNER	Ou_jian	21.01.13		
			0.000±0.10	X°X' ±2°	DRAWN				

