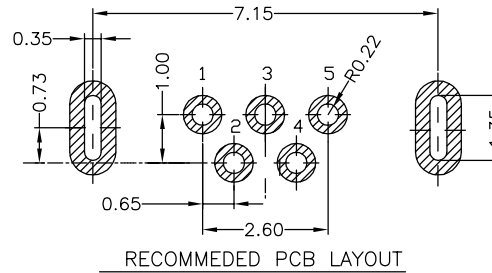
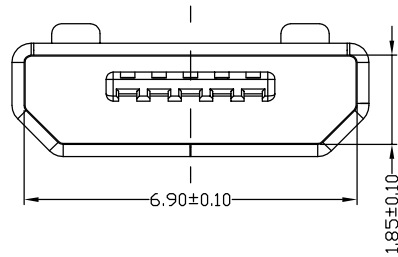
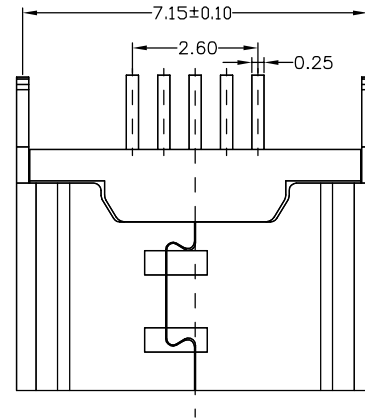
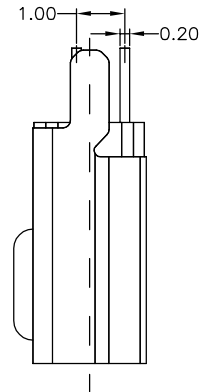
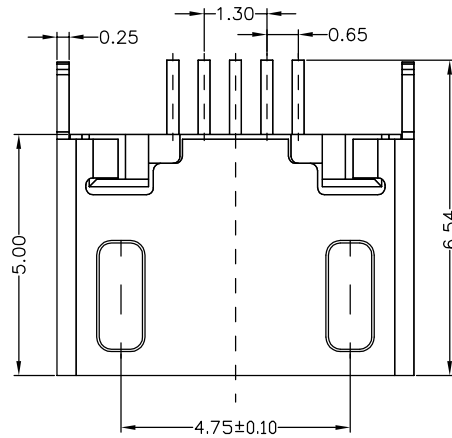


The product using material and processing must conform to the "WL-PZ-001"HSF technical standard control requirements

RoHS



NOTE:

- 1.MATERIAL SPECIFICATION:
 - 1-1.HOUSING:LCP BLACK UL94V-0
 - 1-2.CONTACTS:COPPER ALLOY(C5191-H).
 - 1-3.SHELL: STAINLESS STEEL.
 - 2.PLATING SPECIFICATION:
 - 2-1.CONTACTS:
 - Ni 50u" MIN. UNDER PLATED OVER ALL.
 - Au PLATED ON THE FUNCTIONAL AREA OF CONTACT.
 - 2-2. SHELL:
 - Ni /SN 30u" MIN. UNDER PLATED OVER ALL.
 - 3.MECHANICAL PERFORMANCE:
 - 3-1.INSERTION FORCE: 3.57kgf MAX
 - 3-2.REMOVAL FORCE: 0.8kgf MIN
 - 3-3.DURABILITY: 10000 CYCLES.
 - 4.ELECTRICAL PERFORMANCE:
 - 4-1.CURRENT RATING:1.5A
 - 4-2.VOLTAGE RATING:5V MAX
 - 4-3.CONTACT RESISTANCE: 30m Ohm MAX.
 - 4-4.INSULATION RESISTANCE: 100MΩ MIN
 - 4-5.DIELECTRIC WITHSTANDING VOLTAGE: 100V AC MIN
 - 5.ENVIRONMENTAL PERFORMANCE:
 - OPERATING TEMPERATURE: -30°C~+85°C.
 - PACKAGE SPEC: REEL
- PART NO.:
WLM2F0-051 X X X 021
- PLATING:
 - 1-G/F
 - 2-Au 3u"
 - 5-Au 15u"
 - 6-Au 30u"
- SHELL:
 - 7-SN
 - 9-NI
- COLOUR:
 - A-BLACK
 - K-WHITE

REV.	REVISION RECORD	DATE		GENERAL TOLERANCES		SCALE: 1:1	NAME	DATE	PART.NO:	DWG.NO:	
A0	NEW RELEASE	21.01.13		LINEAR	ANGLES	APPROVED	Wang_jr	21.01.13	WLM2F0-051XXX021	ENDE05	
			UNIT:mm	0.00±0.25	X'±3°	DESIGNER	Ding_bo	21.01.13	TITLE: MICRO 5P/F B TYPE 180° DIP		REV: A0 SHEET: 1/1
			SIZE: A4	0.000±0.10	X'X' ±2°	DRAWN	Ou_jian	21.01.13			