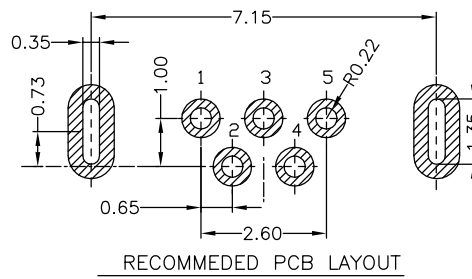
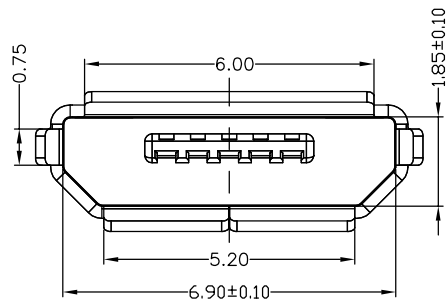
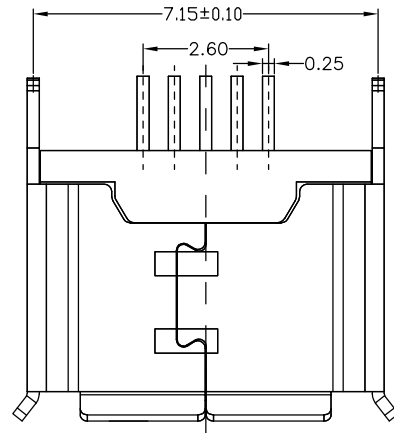
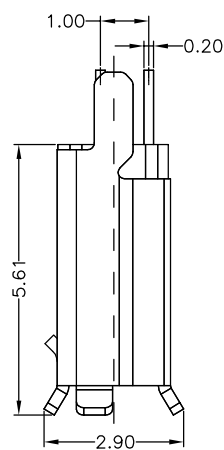
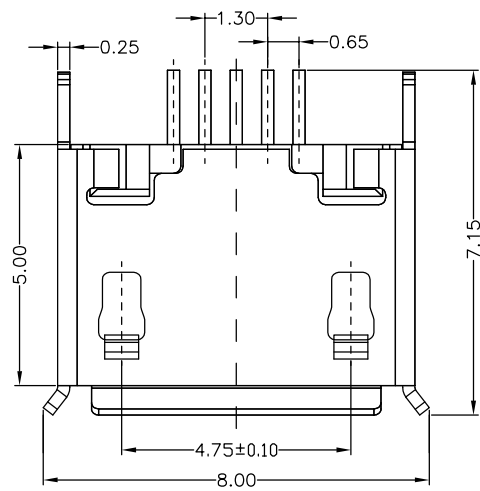


The product using material and processing must conform to the "WL-PZ-001"HSF technical standard control requirements



NOTE:

1.MATERIAL SPECIFICATION:

- 1-1.HOUSING:LCP BLACK UL94V-0
- 1-2.CONTACTS:COPPER ALLOY(C5191-H).
- 1-3.SHELL: STAINLESS STEEL.

2.PLATING SPECIFICATION:

- 2-1.CONTACTS:
Ni 50u" MIN. UNDER PLATED OVER ALL.
Au PLATED ON THE FUNCTIONAL AREA OF CONTACT.
- 2-2. SHELL:
Ni /SN 30u" MIN. UNDER PLATED OVER ALL.

3.MECHANICAL PERFORMANCE:

- 3-1.INSERTION FORCE: 3.57kgf MAX
- 3-2.REMOVAL FORCE: 0.8kgf MIN
- 3-3.DURABILITY: 10000 CYCLES.

4.ELECTRICAL PERFORMANCE:

- 4-1.CURRENT RATING:1.5A
- 4-2.VOLTAGE RATING:5V MAX
- 4-3.CONTACT RESISTANCE: 30m Ohm MAX.
- 4-4.INSULATION RESISTANCE: 100MΩ MIN
- 4-5.DIELECTRIC WITHSTANDING VOLTAGE: 100V AC MIN

5.ENVIRONMENTAL PERFORMANCE:

- OPERATING TEMPERATURE: -30°C~+85°C.
- PACKAGE SPEC: REEL

PART NO.:

WLM2F0-051 X X X 022

PLATING:
 1-G/F
 2-Au 3u"
 5-Au 15u"
 6-Au 30u"
 SHELL:
 7-SN
 9-NI
 COLOUR:
 A-BLACK

REV.	REVISION RECORD	DATE		GENERAL TOLERANCES		SCALE: 1:1	NAME	DATE	PART.NO: WLM2F0-051XXX022	DWG.NO: ENDE05		
A0	NEW RELEASE	21.01.13		LINEAR	ANGLES	APPROVED	Wang_jr	21.01.13				
			UNIT:mm	0.00±0.25	X'±3°	DESIGNER	Ding_bo	21.01.13	TITLE: MICRO 5P/F B TYPE 180° DIP		REV: A0	SHEET: 1/1
			SIZE: A4	0.000±0.10	X'X' ±2°	DRAWN	Ou_jian	21.01.13				