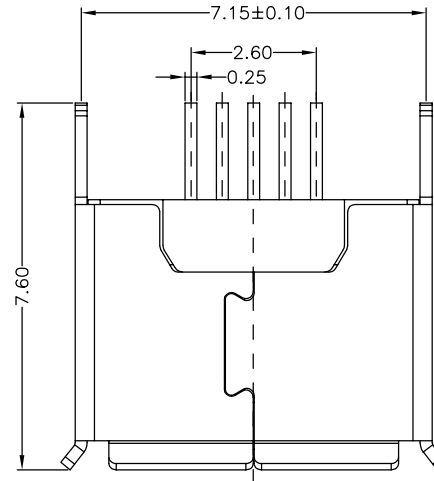
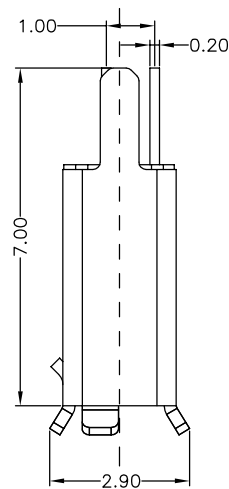
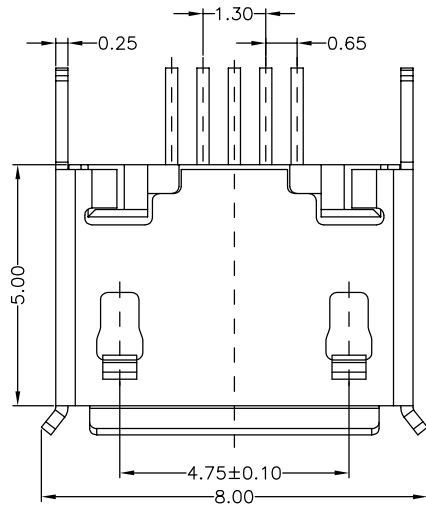


The product using material and processing must conform to the "WL-PZ-001MA" HSF technical standard control requirements

RoHS



NOTE:

- 1.MATERIAL SPECIFICATION:
  - 1-1.HOUSING:LCP BLACK UL94V-0
  - 1-2.CONTACTS:COPPER ALLOY
  - 1-3.SHELL: STAINLESS STEEL.
- 2.PLATING SPECIFICATION:
  - 2-1.CONTACTS:
    - Ni 50u" MIN. UNDER PLATED OVER ALL.
    - Au PLATED ON THE FUNCTIONAL AREA OF CONTACT.
  - 2-2. SHELL:
    - Ni /SN 30u" MIN. UNDER PLATED OVER ALL.
- 3.MECHANICAL PERFORMANCE:
  - 3-1.INSERTION FORCE: 3.57kgf MAX
  - 3-2.REMOVAL FORCE: 0.8kgf MIN
  - 3-3.DURABILITY: 10000 CYCLES.
- 4.ELECTRICAL PERFORMANCE:
  - 4-1.CURRENT RATING:1.5A
  - 4-2.VOLTAGE RATING:5V MAX
  - 4-3.CONTACT RESISTANCE: 30m Ohm MAX.
  - 4-4.INSULATION RESISTANCE: 100MΩ MIN
  - 4-5.DIELECTRIC WITHSTANDING VOLTAGE: 100V AC MIN
- 5.ENVIRONMENTAL PERFORMANCE:
  - OPERATING TEMPERATURE: -30°C~+85°C.
  - PACKAGE SPEC: REEL

PART NO.:

WLM2F0-051 X X X 042

PLATING:

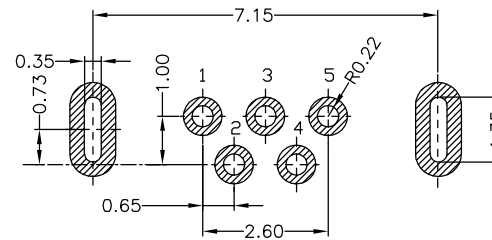
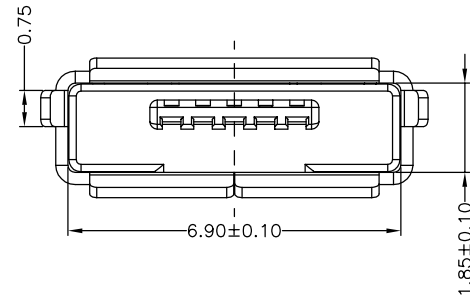
- 1-G/F
- 2-Au 3u"
- 5-Au 15u"
- 6-Au 30u"

SHELL:


- 7-SN
- 9-NI

COLOUR:

A-BLACK



RECOMMENDED PCB LAYOUT

REV.	REVISION RECORD	DATE	UNIT:mm	GENERAL TOLERANCES		SCALE:	NAME	DATE	PART.NO:	DWG.NO:	 WanLian Teconology Co., Ltd
A0	NEW RELEASE	21.01.13		LINEAR	ANGLES	1:1	Wang_jr	21.01.13	WLM2F0-051XXX042	ENDE05	
			0.00±0.25	X°±3°	DESIGNER	Ding_bo	21.01.13	TITLE:		REV: A0	SHEET: 1/1
			0.000±0.10	X°X' ±2°	DRAWN	Ou_jian	21.01.13	MICRO 5P/F AB TYPE 180° DIP 2.0			