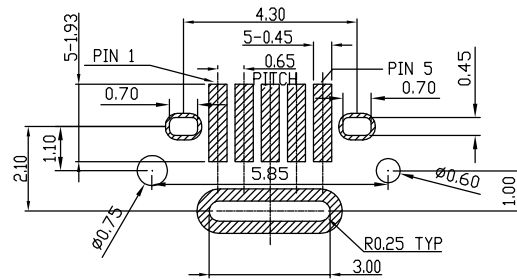
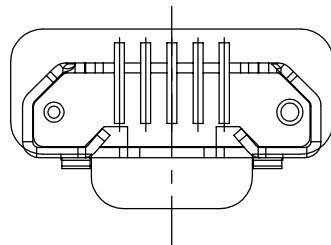
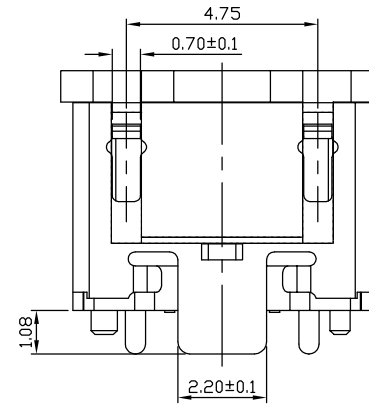
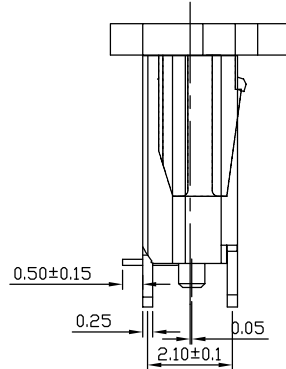
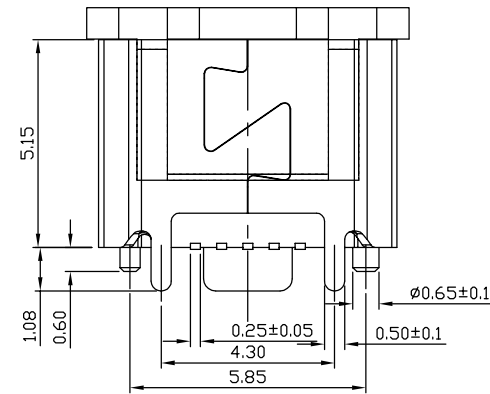
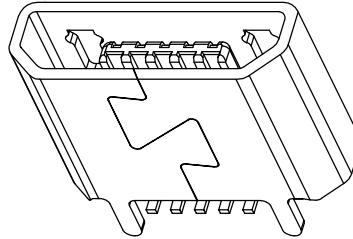
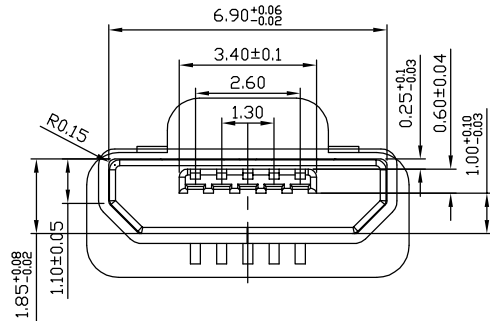


The product using material and processing must conform to the "WL-PZ-001"HSF technical standard control requirements

RoHS



RECOMMENDED PCB LAYOUT

NOTE:

- 1.MATERIAL SPECIFICATION:
  - 1-1.HOUSING:LCP BLACK UL94V-0
  - 1-2.CONTACTS:COPPER ALLOY.
  - 1-3.SHELL: STAINLESS STEEL.
- 2.PLATING SPECIFICATION:
  - 2-1.CONTACTS: NICKEL ALL OVER  
GOLD FLASH IN CONTACT  
TIN IN SOLDER AREA.
  - 2-2. SHELL: NI UNDER PLATED OVER ALL.
- 3.MECHANICAL PERFORMANCE:
  - 3-1.INSERTION FORCE: 3.57KGF MAX
  - 3-2.REMOVAL FORCE: 0.8KGF MIN
  - 3-3.DURABILITY: 10000 CYCLES.
- 4.ELECTRICAL PERFORMANCE:
  - 4-1.CURRENT RATING:1.5A
  - 4-2.VOLTAGE RATING:5V MAX
  - 4-3.CONTACT RESISTANCE: 30M OHM MAX.
  - 4-4.INSULATION RESISTANCE: 100MΩ MIN
  - 4-5.DIELECTRIC WITHSTANDING VOLTAGE: 100V AC MIN
- 5.ENVIRONMENTAL PERFORMANCE:
  - OPERATING TEMPERATURE: -30°C~+85°C.
  - PACKAGE SPEC: REEL

PART NO.:

WLM2F0-052 X X X 068

PLATING:

- 1-G/F
- 2-Au 3u"
- 5-Au 15u"
- 6-Au 30u"

SHELL:

- 7-SN
- 9-NI

COLOUR:  
A-BLACK

REV.	REVISION RECORD	DATE		GENERAL TOLERANCES		SCALE: 1:1	NAME	DATE	PART.NO:	DWG.NO:	 WanLian Teconology Co., Ltd
A0	NEW RELEASE	21.01.13		LINEAR	ANGLES	APPROVED	Wang_jr	21.01.13	WLM2F0-052XXX068	ENDE05	
			UNIT: mm	0.0±0.25	X°REF±6°	DESIGNER	Han_Gao	21.01.13	TITLE:		REV: A0
			SIZE: A4	0.000±0.10	X°X'±2°	DRAWN	ZiJun_Huang	21.01.13	MICRO USB2.0 5P/F 180° SMT		