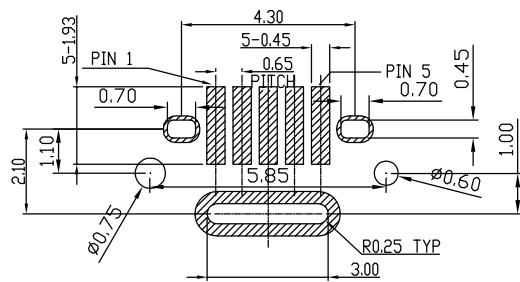
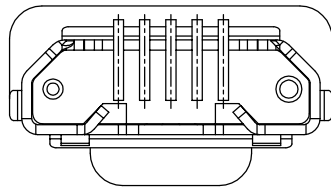
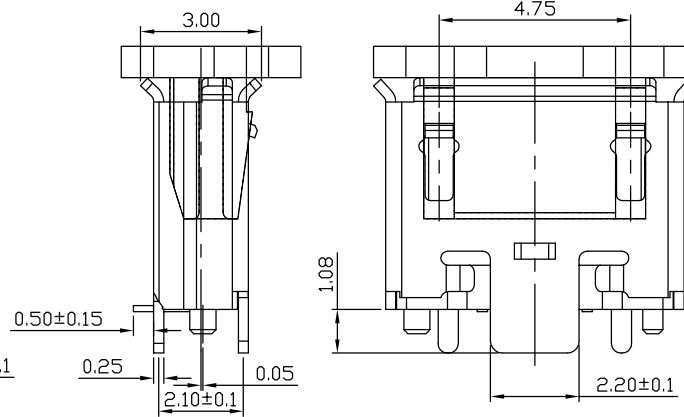
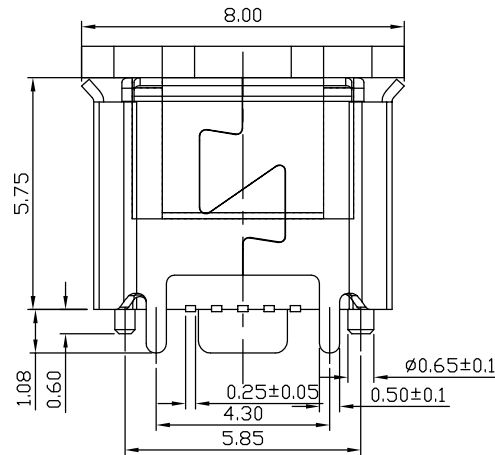
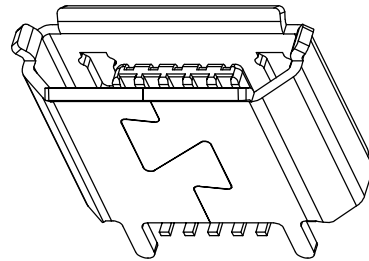
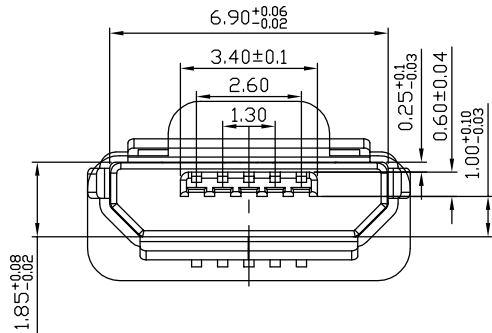


The product using material and processing must conform to the "WL-PZ-001"HSF technical standard control requirements

RoHS



RECOMMENDED PCB LAYOUT

NOTE:

- 1.MATERIAL SPECIFICATION:
    - 1-1.HOUSING:LCP BLACK UL94V-0
    - 1-2.CONTACTS:COPPER ALLOY.
    - 1-3.SHELL: STAINLESS STEEL.
  - 2.PLATING SPECIFICATION:
    - 2-1.CONTACTS: NICKEL ALL OVER  
GOLD FLASH IN CONTACT  
TIN IN SOLDER AREA.
    - 2-2. SHELL: NI UNDER PLATED OVER ALL.
  - 3.MECHANICAL PERFORMANCE:
    - 3-1.INSERTION FORCE: 3.57KGF MAX
    - 3-2.REMOVAL FORCE: 0.8KGF MIN
    - 3-3.DURABILITY: 10000 CYCLES.
  - 4.ELECTRICAL PERFORMANCE:
    - 4-1.CURRENT RATING:1.5A
    - 4-2.VOLTAGE RATING:5V MAX
    - 4-3.CONTACT RESISTANCE: 30M OHM MAX.
    - 4-4.INSULATION RESISTANCE: 100MΩ MIN
    - 4-5.DIELECTRIC WITHSTANDING VOLTAGE: 100V AC MIN
  - 5.ENVIRONMENTAL PERFORMANCE:
    - OPERATING TEMPERATURE: -30°C~+85°C.
    - PACKAGE SPEC: REEL
- PART NO.:  
WLM2F0-052 X X X 070
- PLATING:  SHELL:  
 1-G/F  7-SN  
 2-Au 3u"  9-NI  
 5-Au 15u"  COLOUR:  
 6-Au 30u"  A-BLACK

REV.	REVISION RECORD	DATE		GENERAL TOLERANCES		SCALE: 1:1	NAME	DATE	PART.NO:	DWG.NO:	
A0	NEW RELEASE	21.01.13		LINEAR	ANGLES	APPROVED	Wang_jr	21.01.13	WLM2F0-052XXX070	ENDE05	
			UNIT: mm	0.00±0.25	X°REF±6°	DESIGNER	Han_Gao	21.01.13	TITLE: MICRO USB2.0 5P/F 180° SMT		REV: A0
			SIZE: A4	0.000±0.10	X°X'±2°	DRAWN	ZiJun_Huang	21.01.13			