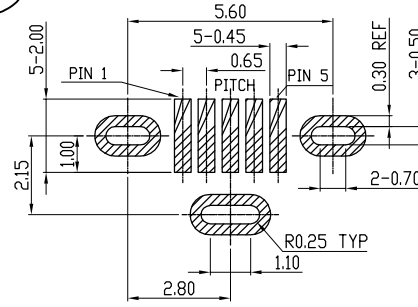
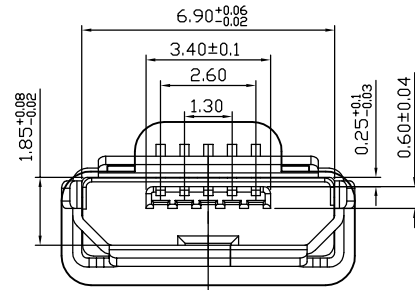


The product using material and processing must conform to the "WL-PZ-001"HSF technical standard control requirements

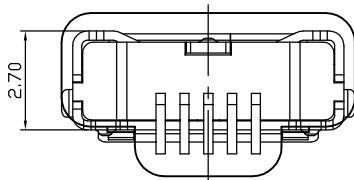
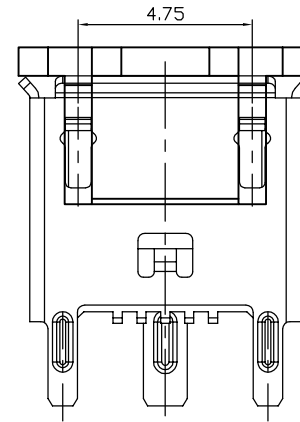
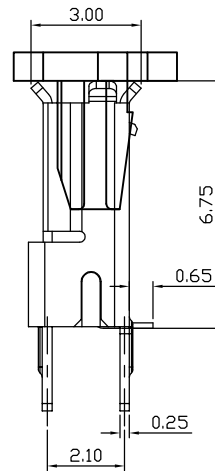
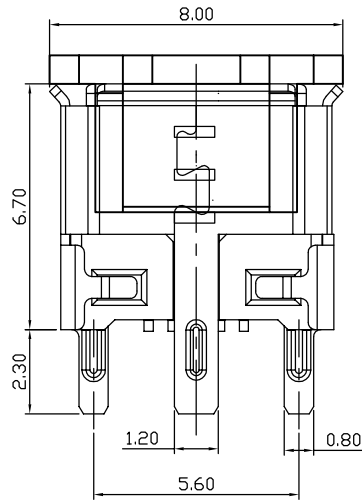
RoHS



RECOMMENDED PCB LAYOUT

NOTE:

- 1.MATERIAL SPECIFICATION:
    - 1-1.HOUSING:LCP BLACK UL94V-0
    - 1-2.CONTACTS:COPPER ALLOY.
    - 1-3.SHELL: STAINLESS STEEL.
  - 2.PLATING SPECIFICATION:
    - 2-1.CONTACTS: NICKEL ALL OVER  
GOLD FLASH IN CONTACT  
TIN IN SOLDER AREA.
    - 2-2. SHELL: SN UNDER PLATED OVER ALL.
  - 3.MECHANICAL PERFORMANCE:
    - 3-1.INSERTION FORCE: 3.57kgf MAX
    - 3-2.REMOVAL FORCE: 0.8kgf MIN
    - 3-3.DURABILITY: 10000 CYCLES.
  - 4.ELECTRICAL PERFORMANCE:
    - 4-1.CURRENT RATING:1.5A
    - 4-2.VOLTAGE RATING:5V MAX
    - 4-3.CONTACT RESISTANCE: 30m Ohm MAX.
    - 4-4.INSULATION RESISTANCE: 100MΩ MIN
    - 4-5.DIELECTRIC WITHSTANDING VOLTAGE: 100V AC MIN
  - 5.ENVIRONMENTAL PERFORMANCE:
    - OPERATING TEMPERATURE: -30°C~+85°C.
    - PACKAGE SPEC: REEL
- PART NO.:  
WLM2FO-052 X X X 075
- PLATING:
  - 1-G/F
  - 2-Au 3u"
  - 5-Au 15u"
  - 6-Au 30u"
- SHELL:
  - 7-SN
  - 9-NI
- COLOUR:  
A-BLACK



REV.	REVISION RECORD	DATE	GENERAL TOLERANCES		SCALE:	NAME	DATE	PART.NO:	DWG.NO:
A0	NEW RELEASE	21.01.13	LINEAR	ANGLES	1:1	Wang_jr	21.01.13	WLM2FO-052XXX075	ENDE05
			0.0±0.35	X°REF±6°	APPROVED	Han_Gao	21.01.13	TITLE:	 WanLian Teconology Co., Ltd
			UNIT: mm	0.00±0.25	DESIGNER	ZiJun_Huang	21.01.13	MICRO USB2.0 5P/F 180° SMT L=6.7mm	
			SIZE: A4	0.000±0.10	DRAWN			REV: A0	