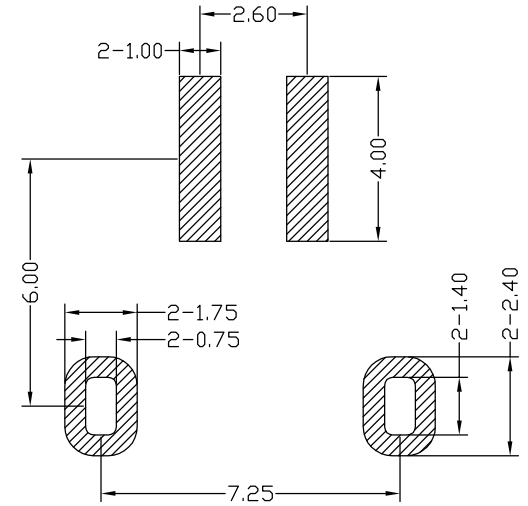
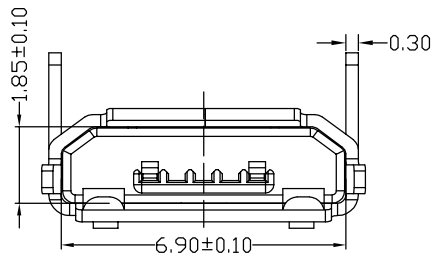
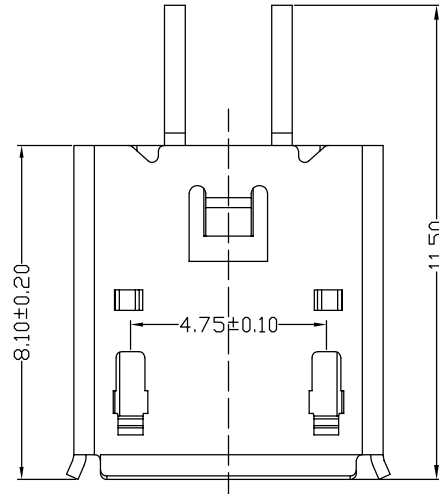
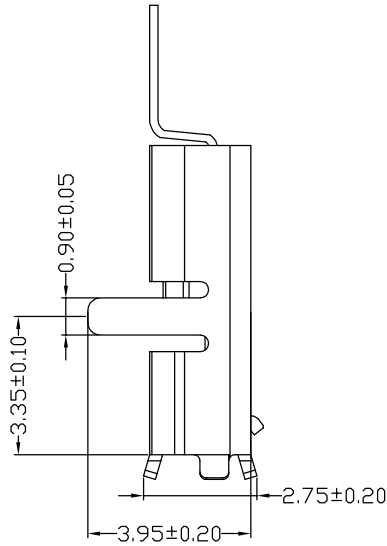
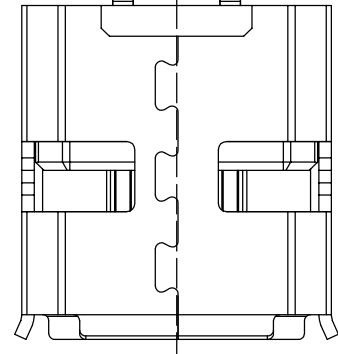
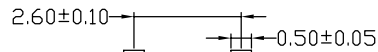
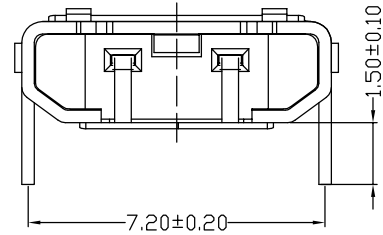


The product using material and processing must conform to the "WL-PZ-001"HSF technical standard control requirements

RoHS




PCB LAYOUT

NOTE:

- 1.MATERIAL SPECIFICATION:
 - 1-1.HOUSING:LCP BLACK UL94V-0
 - 1-2.CONTACTS:COPPER ALLOY
 - 1-3.SHELL: SPCC.
- 2.PLATING SPECIFICATION:
 - 2-1.CONTACTS: Ni 50u" MIN. UNDER PLATED OVER ALL. Au PLATED ON THE FUNCTIONAL AREA OF CONTACT.
 - 2-2. SHELL: Ni 30u" MIN. UNDER PLATED OVER ALL.
- 3.MECHANICAL PERFORMANCE:
 - 3-1.INSERTION FORCE: 3.57kgf MAX
 - 3-2.REMOVAL FORCE: 0.8kgf MIN
 - 3-3.DURABILITY: 10000 CYCLES.
- 4.ELECTRICAL PERFORMANCE:
 - 4-1.CURRENT RATING:1.5A
 - 4-2.VOLTAGE RATING:5V MAX
 - 4-3.CONTACT RESISTANCE: 30m Ohm MAX.
 - 4-4.INSULATION RESISTANCE: 100MΩ MIN
 - 4-5.DIELECTRIC WITHSTANDING VOLTAGE: 100V AC MIN
- 5.ENVIRONMENTAL PERFORMANCE:
 - OPERATING TEMPERATURE: -30°C~+85°C.
 - PACKAGE SPEC:TUBE

PART NO.:
WLM2F9-02 2 X X X 025

PLATING: 1-G/F 2-Au 3u" 5-Au 15u" 6-Au 30u"
SHELL: 9-NI
COLOUR: A-BLACK

REV.	REVISION RECORD	DATE	UNIT:mm	GENERAL TOLERANCES		SCALE:	NAME	DATE	PART.NO:	DWG.NO:	 WanLian Teconology Co., Ltd
A0	NEW RELEASE	21.01.13		LINEAR	ANGLES	1:1	APPROVED	Wang_jr	21.01.13	WLM2F9-022XXX025	
			0.00±0.25	X'±3'	DESIGNER	Ding_bo	21.01.13	TITLE:			REV: A0 SHEET: 1/1
			0.000±0.10	X'X' ±2'	DRAWN	Ou_jian	21.01.13	MICRO 5P/F B TYPE 2P SMT 7.15(1.5*0.9)			