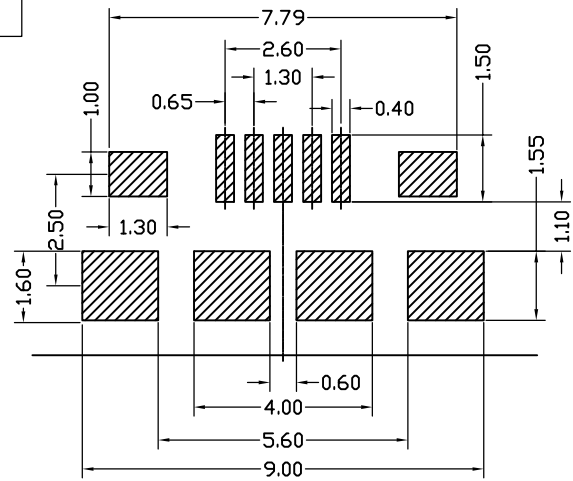


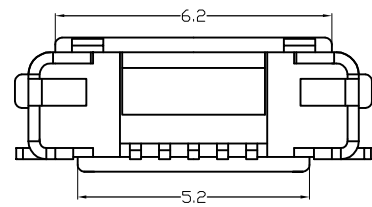
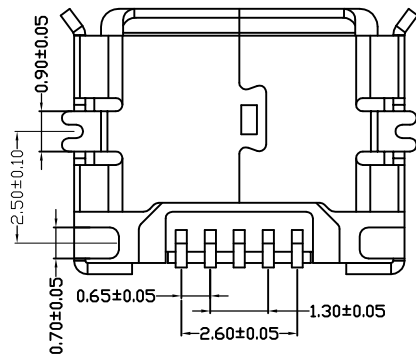
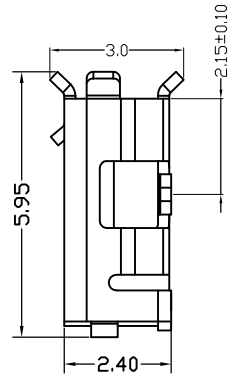
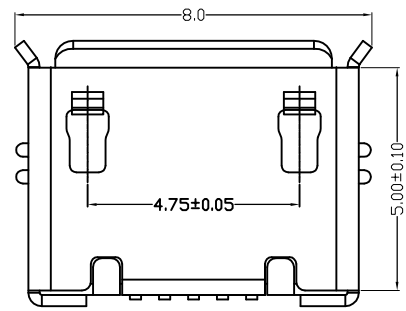
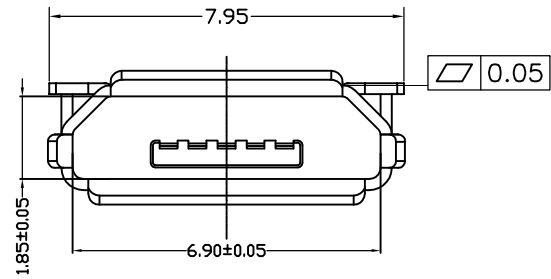
The product using material and processing must conform to the "WL-PZ-001"HSF technical standard control requirements



NOTE:
 1.MATERIAL SPECIFICATION:
 1-1.HOUSING:LCP BLACK UL94V-0
 1-2.CONTACTS:COPPER ALLOY.
 1-3.SHELL: STAINLESS STEEL/COPPER ALLOY.
 2.PLATING SPECIFICATION:
 2-1.CONTACTS:
 Ni 50u" MIN. UNDER PLATED OVER ALL.
 Au PLATED ON THE FUNCTIONAL AREA OF CONTACT.
 2-2. SHELL:
 Sn 30u" MIN. UNDER PLATED OVER ALL.
 3.MECHANICAL PERFORMANCE:
 3-1.INSERTION FORCE: 3.57kgf MAX
 3-2.REMOVAL FORCE: 0.8kgf MIN
 3-3.DURABILITY: 10000 CYCLES.
 4.ELECTRICAL PERFORMANCE:
 4-1.CURRENT RATING:1.5A
 4-2.VOLTAGE RATING:5V MAX
 4-3.CONTACT RESISTANCE: 30m Ohm MAX.
 4-4.INSULATION RESISTANCE: 100MΩ MIN
 4-5.DIELECTRIC WITHSTANDING VOLTAGE: 100V AC MIN
 5.ENVIRONMENTAL PERFORMANCE:
 OPERATING TEMPERATURE: -30°C~+85°C.
 PACKAGE SPEC: REEL
 PART NO.:



RECOMMENDED PCB LAYOUT



WL M2 F 9-05 2 X A X 083

CONNECTOR: Micro USB2.0

MALE FEMALE: F-FEMALE

ANGLE: 9-90°

PIN Q'PY: 05-05PIN

SHELL:
 1-STAINLESS STEEL
 2-COPPER ALLOY

COLOR:
 A-BLACK

PLATING:
 1-G/F
 2-Au 3u"
 5-Au 15u"
 6-Au 30u"

TERMPIENT:
 2-SMT

REV.	REVISION RECORD	DATE		GENERAL TOLERANCES		SCALE: 1:1	NAME	DATE	PART.NO: WLM2F9-052XAX083	DWG.NO: ENDE05	
A0	NEW RELEASE	21.01.13		LINEAR	ANGLES	APPROVED	Wang_jr	21.01.13			
			UNIT:mm	0.00±0.25	X'±3'	DESIGNER	Ding_bo	21.01.13	TITLE: MICRO 5P/F B TYPE-四脚全贴无柱		
			SIZE: A4	0.000±0.10	X'X' ±2'	DRAWN	Ou_jian	21.01.13			