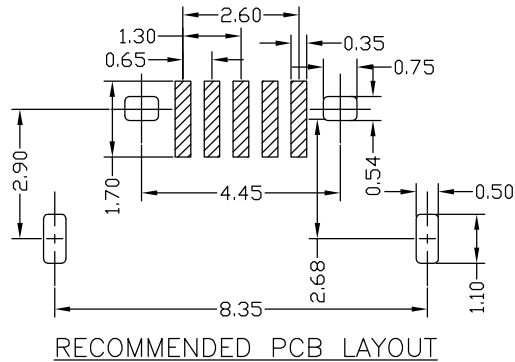
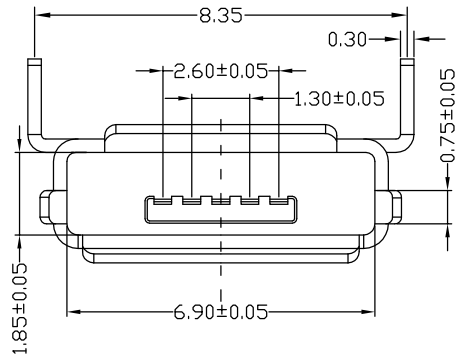


The product using material and processing must conform to the "WL-PZ-001"HSF technical standard control requirements

RoHS



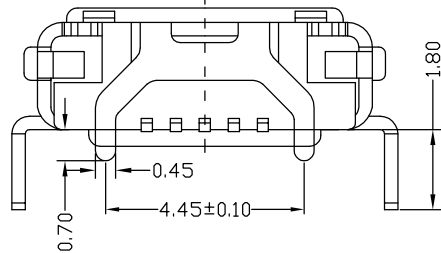
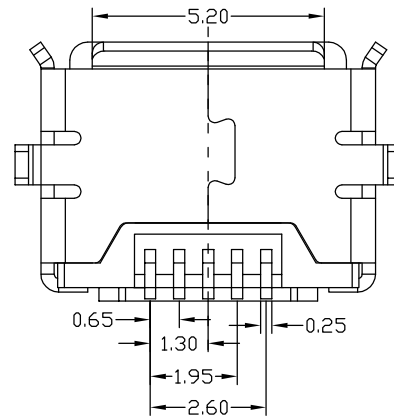
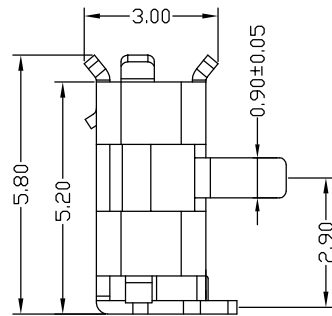
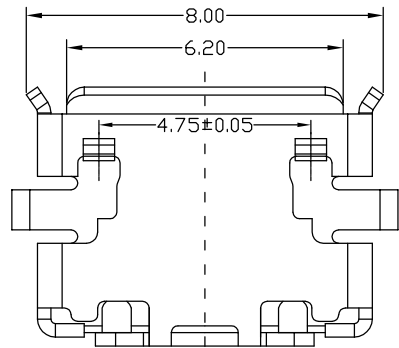
NOTE:


- 1.MATERIAL SPECIFICATION:
  - 1-1.HOUSING:LCP BLACK UL94V-0
  - 1-2.CONTACTS:COPPER ALLOY.
  - 1-3.SHELL: STAINLESS STEEL.
- 2.PLATING SPECIFICATION:
  - 2-1.CONTACTS:
    - Ni 50u" MIN. UNDER PLATED OVER ALL.
    - Au PLATED ON THE FUNCTIONAL AREA OF CONTACT.
  - 2-2. SHELL:
    - Ni 30u" MIN. UNDER PLATED OVER ALL.
- 3.MECHANICAL PERFORMANCE:
  - 3-1.INSERTION FORCE: 3.57kgf MAX
  - 3-2.REMOVAL FORCE: 0.8kgf MIN
  - 3-3.DURABILITY: 10000 CYCLES.
- 4.ELECTRICAL PERFORMANCE:
  - 4-1.CURRENT RATING:1.5A
  - 4-2.VOLTAGE RATING:5V MAX
  - 4-3.CONTACT RESISTANCE: 30m Ohm MAX.
  - 4-4.INSULATION RESISTANCE: 100MΩ MIN
  - 4-5.DIELECTRIC WITHSTANDING VOLTAGE: 100V AC MIN
- 5.ENVIRONMENTAL PERFORMANCE:
  - OPERATING TEMPERATURE: -30°C~+85°C.
  - PACKAGE SPEC: REEL

PART NO.:

WLM2F9-052 X X X 033

PLATING:	X	X	X	033
1-G/F				SHELL:
2-Au 3u"				7-SN
5-Au 15u"				9-NI
6-Au 30u"				COLOUR:
				A-BLACK



REV.	REVISION RECORD	DATE	UNIT:mm	GENERAL TOLERANCES		SCALE:	NAME	DATE	PART.NO:	DWG.NO:	 WanLian Teconology Co., Ltd
AO	NEW RELEASE	21.01.13		LINEAR	ANGLES	1:1	APPROVED	21.01.13	WLM2F9-052XXX033	ENDE05	
			0.00±0.25	X'±3'	DESIGNER	Ding_bo	21.01.13	TITLE:		MICRO 5P/F AB TYPE DIP 1.8(8.35*4.45)	REV: A0    SHEET: 1/1
			0.00±0.10	X'X' ±2'	DRAWN	Ou_jian	21.01.13				