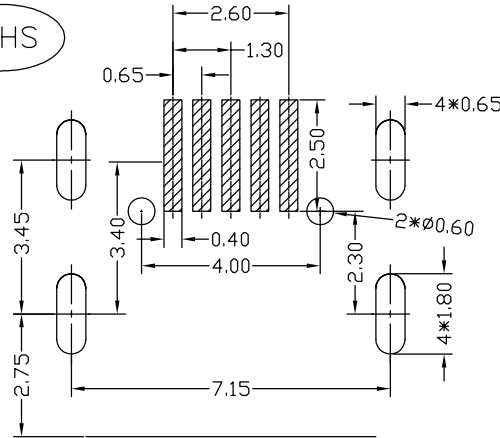
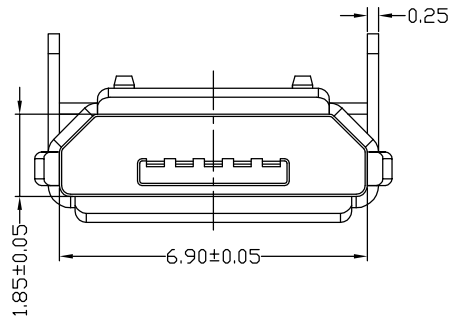


The product using material and processing must conform to the "WL-PZ-001"HSF technical standard control requirements

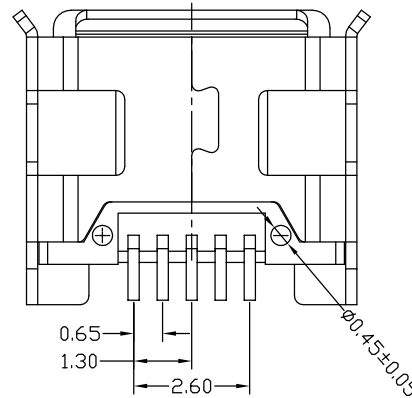
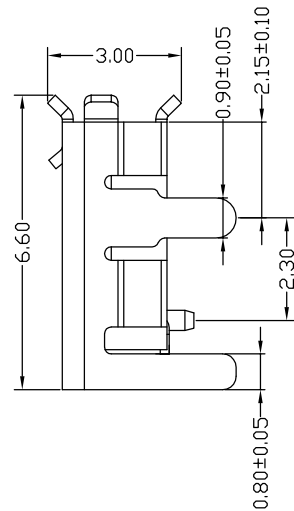
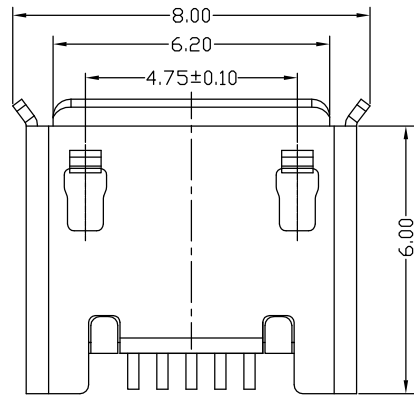
RoHS



NOTE:

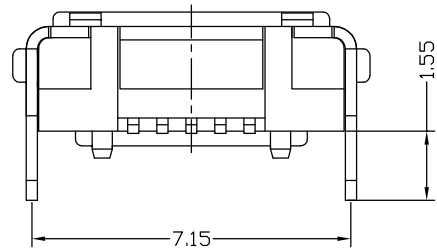
- 1.MATERIAL SPECIFICATION:
 - 1-1.HOUSING:LCP BLACK UL94V-0
 - 1-2.CONTACTS:COPPER ALLOY.
 - 1-3.SHELL: STAINLESS STEEL.
- 2.PLATING SPECIFICATION:
 - 2-1.CONTACTS:
 - Ni 50u" MIN. UNDER PLATED OVER ALL.
 - Au PLATED ON THE FUNCTIONAL AREA OF CONTACT.
 - 2-2. SHELL:
 - Ni 30u" MIN. UNDER PLATED OVER ALL.
- 3.MECHANICAL PERFORMANCE:
 - 3-1.INSERTION FORCE: 3.57kgf MAX
 - 3-2.REMOVAL FORCE: 0.8kgf MIN
 - 3-3.DURABILITY: 10000 CYCLES.
- 4.ELECTRICAL PERFORMANCE:
 - 4-1.CURRENT RATING:1.5A
 - 4-2.VOLTAGE RATING:5V MAX
 - 4-3.CONTACT RESISTANCE: 30m Ohm MAX.
 - 4-4.INSULATION RESISTANCE: 100MΩ MIN
 - 4-5.DIELECTRIC WITHSTANDING VOLTAGE: 100V AC MIN
- 5.ENVIRONMENTAL PERFORMANCE:
 - OPERATING TEMPERATURE: -30°C~+85°C.
 - PACKAGE SPEC: REEL

RECOMMENDED PCB LAYOUT



PART NO.:
WLM2F9-052 X X X 039

PLATING: _____ SHELL: _____
 1-G/F 7-SN
 2-Au 3u" 9-NI
 5-Au 15u" COLOUR: _____
 6-Au 30u" A-BLACK



| | | | | | | | | | | | |
|------|-----------------|----------|----------|--------------------|-----------|---------------|---------|----------|------------------|--------------------------------------|--|
| REV. | REVISION RECORD | DATE | | GENERAL TOLERANCES | | SCALE: 1:1 | NAME | DATE | PART.NO: | DWG.NO: | |
| A0 | NEW RELEASE | 21.01.13 | | LINEAR | ANGLES | APPROVED | Wang_jr | 21.01.13 | WLM2F9-052XXX039 | ENDE05 | |
| | | | | 0.0±0.35 | X°REF±6° | DESIGNER | Ding_bo | 21.01.13 | TITLE: | | |
| | | | | UNIT:mm | 0.00±0.25 | X'±3' | DRAWN | Ou_jian | 21.01.13 | MICRO 5P/F B TYPE DIP 7.15(1.55*0.9) | |
| | | | SIZE: A4 | 0.000±0.10 | X*X' ±2' | | | | REV: A0 | SHEET: 1/1 | |